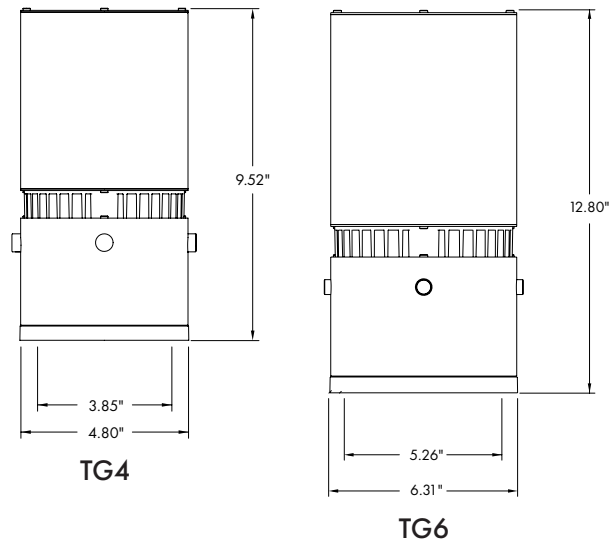




### TG4 & TG6 – Features and Benefits

- Decorative heat sink with illuminated fins provides visual interest.
- Architectural extruded aluminum housing.
- Powder coat finishes; also available in custom colors.
- Mountings: cable, pendant, wall and surface.
- Conduit cover mounting options.
- Available for IRD and CentralDrive installations.
- Offered with EM using IRD configuration or special ceiling canopy for IEM.
- Available with Bridgelux Thrive™ high-fidelity, human-centric lighting technology.
- Same great performance as other products in our HL Series.



Scan code for product pages  
<https://pathway.lighting/glow>