

Reflector Finishes

Pathway Lighting reflectors are engineered for high efficiency without sacrificing visual comfort. They are fabricated from heavy-gauge aluminum and finished in a variety of anodized colors. Both soft specular and diffused/matte finishes are available. Contact our sales department for special anodized and painted finishes not shown here.



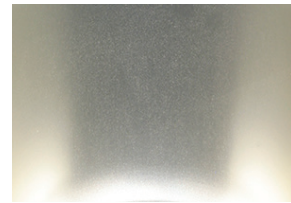
Clear
Soft Specular "**SCL**"



Pewter
Diffused "**EPW**"
Soft Specular "**SPW**"*



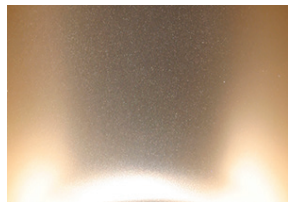
Haze
Diffused "**HAZ**"



Straw
Diffused "**EST**"
Soft Specular "**SST**"*



Bronze
Diffused "**EBZ**"
Soft Specular "**SBZ**"*



Wheat
Diffused "**EWT**"
Soft Specular "**SWT**"*



Black
Diffused "**EBL**"
Soft Specular "**SBL**"*

Painted Finishes:

GWH = Gloss White Painted Finish

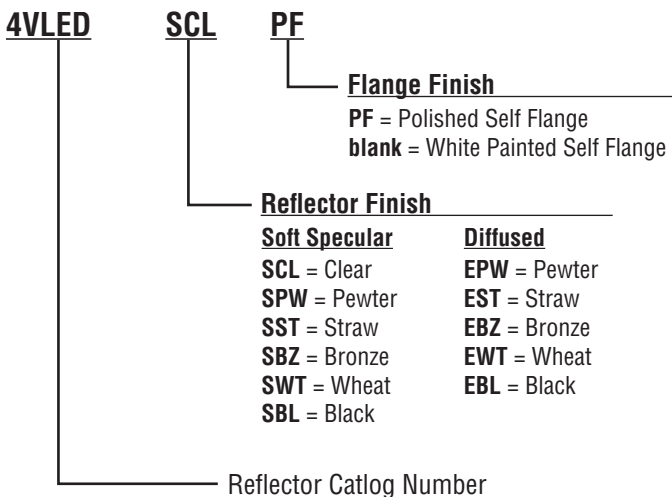
MWH = Matte White Finish

GB = Gloss Black

MB = Matte Black

* Not available on square reflectors

How to Order - Round



How to Order - Square

