

## APPLICATION

Small-aperture lensed wall wash downlight is suitable for commercial, retail and institutional applications that require an energy saving, long life LED lamp source, excellent color rendering characteristics and shallow fixture height.

## PRODUCT DATA

**FRAME-IN KIT/DLA ASSEMBLY:** Frame-in kit is available to ship and preinstall prior to insertion of downlight (DLA) assembly. Heavy-gauge galvanized steel housing provides a secure mounting platform and accommodates ceiling thickness up to one-inch. DLA assembly consists of reflector (trim), engine, heat sink, driver, J-box and quick-connect wire harness for fast installation. Junction box is magnetized and easily disengages so entire DLA assembly can be removed for routine maintenance.

**REFLECTOR:** Square-aperture reflector installs into round aperture recessed housing and is injection molded of matte white, high-impact polycarbonate. Entire reflector assembly can be removed from housing and rotated to any position to fine tune alignment. Heavy-gauge aluminum trim flange measures 1.5" and is available in a variety of finishes. Contact our sales department for custom colors. 45° cut-off to source and source image is provided.

**MOUNTING:** Universal mounting brackets adjust vertically and accept L-BAR interlocking, expandable, C-channel hanger bars which are supplied standard. L-BARS are suitable for T-bar, wood joist, and metal joist ceiling styles. Additional features on last page.

**ELECTRICAL:** Standard 120 or 277 VAC, 50-60 Hz. Optional 347V (E3).

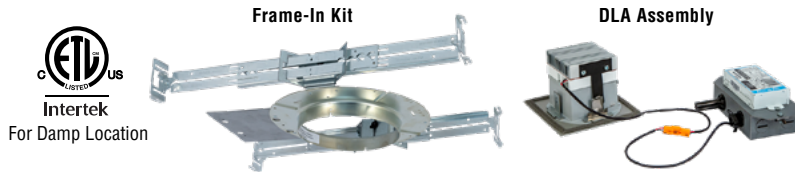
**JUNCTION BOX:** Heavy-gauge galvanized junction box pre-wired with grounding pigtail. Easy access covers. Multiple conduit knockouts listed for through branch circuit wiring. Junction box and driver assembly are attached to frame-in kit with magnets and can be easily removed for routine maintenance. Plenum rated cable and quick disconnects are provided.

**LED MODULE & DRIVER:** LED module and Xitanium drivers are manufactured by Philips Lighting. 80 CRI standard. 90 CRI available.

**DIMMING:** Standard product is compatible with 0-10 volt dimming controls. See below for additional options.

**HEAT MANAGEMENT:** Engineered heat sink provides passive cooling for optimum heat management of the LED engine.

- Expected lamp life to be 50,000 hours with 70% lumen maintenance when ambient temperatures do not exceed 45°C. Lower ambient temperatures yield longer lamp life.



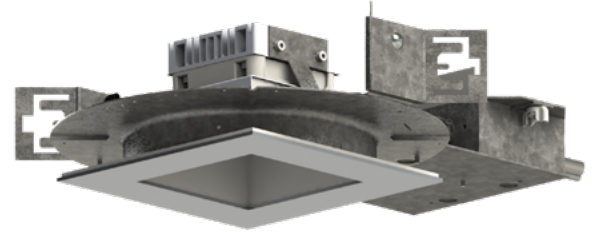
## SERIES 6SFK/6SQSFL2X LW6

Shallow Plenum LED Lensed Wall Wash 768-1973 Lumen

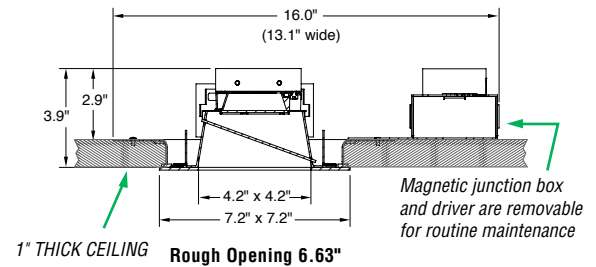
### S4 SHALLOW PLENUM SERIES

**5 Year Warranty**

3-5 Day Quick Ship on Frame-In Kits  
1-50 pieces. Mark order "Quick Ship".



[CLICK HERE for S4 Brochure](#)  
[CLICK HERE for more products](#)



Catalog #:

### 6SFK/6SFL2X

Example: 6SFK/6SQSFL2X1135KE1DALW6SCLPFEM

Frame-In Kit	DLM Assembly	Initial Lumens	Color Temp.	Input Voltage	Dimming	FLange Finish
6SFK 6SFKIEM	6SQSFL2X	<p>8 = (768L, 12W) 11 = (1154L, 18W) 15 = (1639L, 26W) 20 = (1873L, 30W)</p> <p>C9 = 90 CRI See next page for delivered lumens data.</p>	<p>5K** (5000K) 4K (4000K) 35K (3500K) 3K (3000K) 27K* (2700K)</p>	<p>E1 120 Volt E2 277 Volt E3 347 Volt<sup>^</sup>#</p>	<p>DA Xitanium 1% 0-10V (linear) standard  More Options On Next Page</p>	<p>LW6 – Wall Wash Reflector with Micro-Linear Acrylic Spread Lens BR – Brushed Clear Anodized SA – Satin Aluminum<sup>§</sup> MW – Matte White<sup>§§</sup> MB – Matte Black<sup>§</sup> BZ – Dark Bronze<sup>§</sup> MA – Metallic Aluminum<sup>§</sup></p> <p><sup>§</sup>These finishes are epoxy powder coat. Custom colors available upon request.</p>

<sup>^</sup> 347V input (E3) options are not compatible with emergency battery options.

# Available with DS Dimming Only

\* 90 CRI Only

\*\* 5000K only available in 80 CRI.

### Options

QS = Quick Ship Model

EM\* = Emergency Battery Pack w/remotely located Test Switch

Fixture:	Type:
Project:	



Pathway Lighting Products, Inc., P.O. Box 591, Old Saybrook, CT 06475-0591  
voice 800.342.0592 • fax 800.207.0090 • www.pathwaylighting.com • e-mail: sales@pathwaylighting.com

Manufactured and tested to UL#1598/8750 and CSA standards. Fixtures are not designed for direct contact with insulation. All Pathway® products meet or exceed requirements as established by the National Electrical Code. Specifications subject to change without notice.

**Dimming Options:**

Specify option by suffix (shown in bold-face type)

Our White Paper regarding Linear vs. Logarithmic Operating Characteristics is available in our 'Downloads' section of our website, or you may request one by emailing [Sales@PathwayLighting.com](mailto:Sales@PathwayLighting.com)

0-10V Dimming Options	Lutron Dimming Options	DALI Dimming Options
<b>DA</b> = Xitanium 1% 0-10V (linear) <b>DB</b> = Xitanium 1% 0-10V (logarithmic) <b>DC</b> = EldoLED 0-10V 0% (logarithmic) <b>DD</b> = EldoLED 0-10V 1% (logarithmic) <b>DE</b> = EldoLED 0-10V 0% (linear) <b>DF</b> = EldoLED 0-10V 1% (linear) <b>DS</b> = Sage 0-10V 1% (linear)* <b>DT</b> = 0-10V 1% (linear) dim to off	<b>DG</b> = Lutron Eco 1% (linear) <b>DJ</b> = Lutron 2 wire 1% (linear)	<b>DK</b> = EldoLED DALI 0% (logarithmic) <b>DL</b> = EldoLED DALI 1% (logarithmic)
DMX Dimming Options	Misc. Dimming Options	
<b>RDM COMPLIANT</b> <b>XG</b> = DMX EldoLED 0% (logarithmic) <b>XH</b> = DMX EldoLED 0% (linear)	<b>DM</b> = 2-Wire Forward/Reverse Phase (120V)	

\* 347V only

**Delivered Lumen Data - (3500K Color Temperature)**

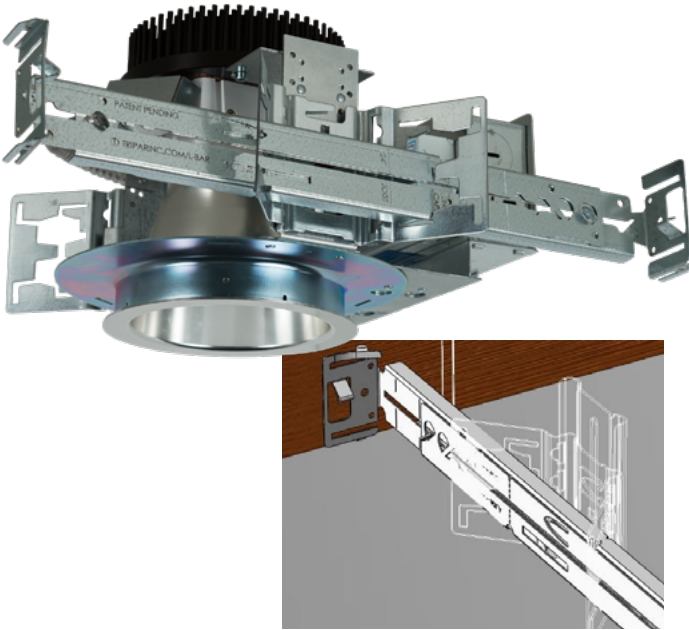
FIXTURE	WATTAGE	RATED LUMENS	DELIVERED LUMENS	BEAM DISTRIBUTION	LPW
6SQSFL2X835KLW6MW	12	800	768	76°H X 83°V	64.00
6SQSFL2X1135KLW6MW	18	1100	1154	76°H X 83°V	64.11
6SQSFL2X1535KLW6MW	26	1500	1639	76°H X 83°V	63.04
6SQSFL2X2035KLW6MW	30	2000	1873	76°H X 83°V	62.43

Scaling factors for other color temperatures:

80 CRI: 3000K = 0.97; 4000K = 1.03; 5000K = 1.01

90 CRI: 2700K = 0.95; 3000K = 0.98; 4000K = 1.04

## Standard Hanger Bars



Interlocking L-Bar hanger bars are now standard with all recessed Coventry Architectural lighting fixtures.

Installer friendly features include:

- L-Bars are fabricated from identical L-shaped cross sections that form a sturdy ½" by 1-1/2" C-channel profile for superior rigidity.
- Pre-marked with spacing locations for 24" T-bar; 16" and 24" joist ceilings (wood and metal).
- Extension locks with an easy-to-use integral twist tab. No separate fastener.
- Interlocking and expandable to 24". Can be increased to 36" or 48" with the use of one additional bars.
- Allows for offset mounting.
- Integral and barbed nail spike for wood joist ceilings.
- Fits into the C-channel notches on our butterfly mounting bracket.
- Complete details including video demonstration is available at [www.pathwaylighting.com](http://www.pathwaylighting.com).

To increase the included L-Bar set to a 36" length, order two model #015-954 and use one per side. To increase to a 48" length, order one #LBAR which is a complete set of four bars and use two per side.