

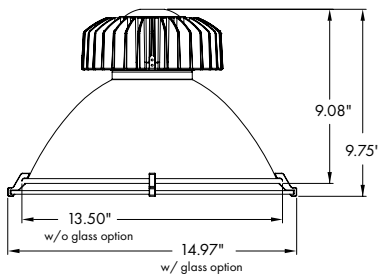
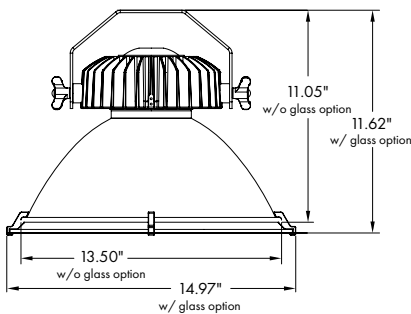
# Industriale Series - Skal Shade

## SERIES P5G

Decorative LED Pendant  
1017 - 10,230



weight: 9.0 lbs



### APPLICATION

Industriale is a family of decorative, suspended LED fixtures that are ideally suited to office, residential, loft, restaurant and retail spaces where long life and energy-efficient LED operation is desirable.

### FEATURES AND BENEFITS

- Vintage industrial look with modern features
- Various mounting options include: bail with modern wing nut, rigid pipe stem, and flexible single aviation cable.
- Available with optional lenses, to enclose the fixture.
- Separate models available for our remote driver platforms of IRD and CentralDrive™ (see below).
- Utilizes an internal dome-shaped cover to spread light rays and obscure the LED engine.
- Custom colors available.

### TECHNICAL DATA

- Max output at 10,000 lumens.
- Input: 120 to 277 VAC, 50-60Hz
- Standard 0-10V 1% dimming, other options listed on page 3.
- CRI = 80. Available in 90 CRI.
- [Available with Bridgelux Thrive™ high-fidelity human-centric lighting technology.](#)
- Expected lamp life to be 50,000 hours with 70% lumen maintenance when ambient temperatures do not exceed 35°C. Lower ambient temperatures yield longer lamp life.

### REMOTE DRIVER OPTIONS (PUBLISHED SEPARATELY)

IRD (In-ceiling Remote Driver) features a housing with driver that is recessed in the ceiling and operates a single lighting fixture. Benefits include small 0.25" thick ceiling canopies, emergency (EM) options, and longer driver life due to reduced exposure to the heat of the LED engine. Both new construction and remodel style housings are available.

CentralDrive™ system features a remote panel that operates multiple lighting fixtures. This remote panel can be installed in an easy-to-access area such as a utility closet. Benefits are the same as our IRD system as well as easy driver replacement.

Lighting fixtures for these remote driver systems are published separately and can be found on our website. Please contact our sales team for more information on these options.

[CLICK HERE to view the Industriale Series Brochure](#)



## HOW TO ORDER

### Fixture Body Model Number:

Example: P5YUASASAUAPAV105KDA

Fixture Series	Heat Sink Finish	Bail/Yoke Finish	Bail Knobs	Mounting	Driver
P5 - Basic Industriale	UA = Unfinished Aluminum MW = Matte White MB = Matte Black  Custom Colors Available	N/A	N/A	A* = Cable** Pendant Stem Mount PA = Satin Aluminum Finish^ PW = Matte White Finish^ PB = Matte Black Finish^ PZ = Dark Bronze Finish^	V = Onboard Driver
P5Y - Industriale w/ Adjustable Bail		SA = Satin Aluminum MW = Matte White MB = Matte Black	SA = Satin Aluminum MW = Matte White MB = Matte Black		

Delivered Lumens (Open Shade)	Thrive™	Color Temperature	Dimming	Options
10 = (1017, 8W) 20 = (2165, 16W) 30 = (3203, 24W) 40 = (4201, 32W) 50 = (5204, 41W) 60 = (6160, 50W) 70 = (7098, 59W) 80 = (8032, 68W) 90 = (9360, 86W) 100 = (10,230, 91W)  C9 = 90 CRI	T = Thrive High Fidelity Human Centric Technology#  95 CRI. Use scaling factor of 0.54 to determine delivered lumens.	5K = 5000K 4K = 4000K 35K = 3500K 3K = 3000K 27K = 3000K	DA = Xitanium 0-10V 1% linear standard	IEM = EM Battery Pack w/ Integral Test Switch. (Located in ceiling canopy) F = Fuse and Fuse Holder

\* Specify canopy and cord color using "A" followed by number, e.g. "A2"

- |                              |                               |                                |
|------------------------------|-------------------------------|--------------------------------|
| 1 = White canopy/ White cord | 5 = Bronze canopy/ White cord | 9 = White canopy/ Clear cord   |
| 2 = White canopy/ Black cord | 6 = Bronze canopy/ Black cord | 10 = Black canopy/ Clear cord  |
| 3 = Black canopy/ White cord | 7 = Silver canopy/ White cord | 11 = Silver canopy/ Clear cord |
| 4 = Black canopy/ Black cord | 8 = Silver canopy/ Black cord | 12 = Bronze canopy/ Clear cord |

\*\* Cable mounting not available on model with adjustable bail.

^ Finish refers to ceiling canopy color. Stem length and finish are specified separately

# Thrive only available on models with lumen designations 10-80.

### Shade Model Number:

Example: P5GSAMW

Shade Style	Shade Exterior Finish	Shade Interior Finish	Accessories
P5G = Skal 13.5" Diameter Shade	SA = Satin Aluminum MW = Matte White MB = Matte Black	MW = Matte White	FG = Glass Lens PC = Polycarbonate Lens WG = Wireguard†

† Wireguard is standard in nickel finish. Other colors available upon request.



### Stem Kit Specification:

Example: PKU24SA

Pendant Stem	Stem Length	Finish
PKU = Swivel Pendant Kit	Stem Length in Increments of 12" (Add 2" for Canopy)	SA = Satin Aluminum MW = Matte White MB = Matte Black BZ = Bronze

Fixture:	Type:
Project:	

Manufactured and tested to UL#1598/8750 and CSA standards.

All Pathway® products meet or exceed requirements as established by the National Electrical Code. Specifications subject to change without notice.

**DIMMING OPTIONS**

Specify option by suffix (shown in bold-face type)

Our White Paper regarding Linear vs. Logarithmic Operating Characteristics is available in our 'Downloads' section of our website, or you may request one by emailing [Sales@PathwayLighting.com](mailto:Sales@PathwayLighting.com)

0-10V Dimming Options
DA = Xitanium 1% 0-10V (linear), Max Lumen = 90
DB = Xitanium 1% 0-10V (logarithmic), Max Lumen = 90
DC = EldoLED 0-10V 0% (logarithmic), Max Lumen = 60
DD = EldoLED 0-10V 1% (logarithmic), Max Lumen = 60
DE = EldoLED 0-10V 0% (linear), Max Lumen = 60
DF = EldoLED 0-10V 1% (linear), Max Lumen = 60
DR = ERP 01-10V 1% (linear) lumen designation 100 only
DS = 0-10V 1% (linear) 347V only, Max Lumen = 60
DT = 0-10V 1% (linear) dim-to-off, Max Lumen = 60

Lutron Dimming Options
<b>Maximum Lumen = 40</b>
DG = Lutron Eco 1% (linear)
DH = Lutron 3 wire 1% (linear)
DJ = Lutron 2 wire 1% (linear)

DALI Dimming Options
<b>Maximum Lumen = 60</b>
DK = EldoLED DALI 0% (logarithmic)
DL = EldoLED DALI 1% (logarithmic)

DMX Dimming Options
<b>RDM COMPLIANT</b>
<b>MAX LUMEN = 50</b>
XG = DMX EldoLED 0% (logarithmic)
XH = DMX EldoLED 0% (linear)

Misc. Dimming Options
DQ = 2-wire forward/reverse phase (120V) and 0-10V 1% (linear) Max Lumen = 70
DP = ERP 2-Wire Forward/Reverse Phase (120V, lumen designation 100 only)

DMX Dimming Options (interfaced through 0-10V driver)
XA = DMX Xitanium 1% (linear), Max Lumen = 90
XB = DMX Xitanium 1% (logarithmic), Max Lumen = 90
XC = DMX EldoLED 0% (logarithmic), Max Lumen = 60
XD = DMX EldoLED 1% (logarithmic), Max Lumen = 60
XE = DMX EldoLED 0% (linear), Max Lumen = 60
XF = DMX EldoLED 1% (linear), Max Lumen = 60
XR = DMX ERP 1% (linear), lumen designation 100 only

**DELIVERED LUMENS**

**Data for fixtures in 3500K color temperature**

FIXTURE	TRIM	WATTAGE	RATED LUMENS	DELIVERED LUMENS	BEAM DISTRIBUTION"	LPW
P5GUNV1035K	P5GSAMW	8	1000	1017	88°	127.13
P5GUNV2035K	P5GSAMW	16	2000	2165	88°	135.31
P5GUNV3035K	P5GSAMW	24	3000	3203	88°	133.46
P5GUNV4035K	P5GSAMW	32	4000	4201	88°	131.28
P5GUNV5035K	P5GSAMW	41	5000	5204	88°	126.93
P5GUNV6035K	P5GSAMW	50	6000	6160	88°	123.20
P5GUNV7035K	P5GSAMW	59	7000	7098	88°	120.31
P5GUNV8035K	P5GSAMW	68	8000	8023	88°	117.99
P5GUNV9035K	P5GSAMW	86	9000	9360	88°	108.84
P5GUNV10035K	P5GSAMW	91	10000	10230	88°	112.42

Above values reflect 3500K color temperatures

Scaling factors for other color temperatures: 2700K=0.92; 3000K=0.97; 4000K=1.01; 5000K=1.04

Scaling Factor for 90 CRI=0.83

Scaling Factor for Thrive = 0.54

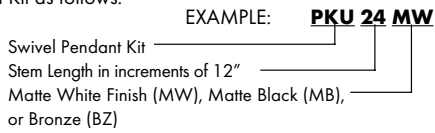
**MOUNTING CONFIGURATIONS**

**MOUNTING:** (Specify when ordering.)

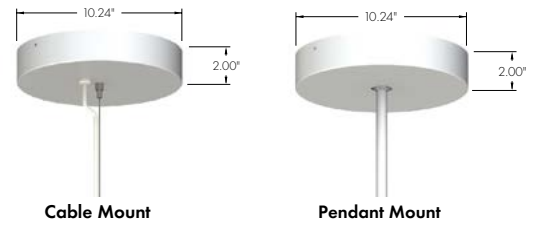
Pendant Mount – Swivel mount canopy allows cylinder to hang plumb up to 45° sloped ceiling stem 3/8" IPS (specify length in increments of 12") canopy adds 2.0" to overall length. Standard finish white powder coat.

Adjustable bail option may cause the fixture not to hang plumb when over adjusted. Locking collar (LC) is provided to lock swivel stem is an available option.

Specify Pendant Kit as follows:



Aviation Cable Mount – Supplied with 10' field adjustable aviation cable and straight cord.



**Larger Ceiling Canopy Provided for Model with Emergency IEM Option**

**COLOR CHART**

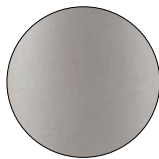
**Standard Finishes (Powder Coat)**



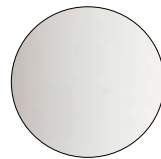
Matte Black (MB)



Bronze (BZ)



Satin Aluminum (SA)



Matte White (MW)

**Special Finishes Available. Contact our sales department.**

