

APPLICATION

Small-aperture medium-distribution downlight is suitable for commercial, retail and institutional applications that require an energy saving, long life LED lamp source, excellent color rendering characteristics and shallow fixture height.

PRODUCT DATA

FRAME-IN KIT/DLA ASSEMBLY: Frame-in kit is available to ship and preinstall prior to insertion of downlight (DLA) assembly. Heavy-gauge galvanized steel housing provides a secure mounting platform and accommodates ceiling thickness up to one-inch. DLA assembly consists of reflector (trim), engine, heat sink, driver, J-box and quick-connect wire harness for fast installation. Junction box is magnetized and easily disengages so entire DLA assembly can be removed for routine maintenance.

REFLECTOR: The parabolic reflector eliminates glare and features a 55° cut-off to source and source image. A 5/8" overlap flange is standard. Supplied standard with Specular Clear Alzak, other reflector finishes are available in order to provide maximum flexibility to the designer.

DECORATIVE ACCESSORY: Round disc is fabricated from soda lime glass (ICE) or borosilicate glass (ICEBS) and is suspended from reflector by satin-finished stainless hardware. Glass features a frosted center ring with center opening.

MOUNTING: Universal mounting brackets adjust vertically and accept L-BAR interlocking, expandable, C-channel hanger bars which are supplied standard. L-BARS are suitable for T-bar, wood joist, and metal joist ceiling styles. Additional features on last page.

ELECTRICAL: Standard 120 or 277 VAC, 50-60 Hz. Optional 347V (E3).

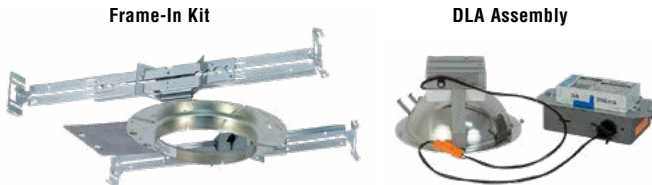
JUNCTION BOX: Heavy-gauge galvanized junction box pre-wired with grounding pigtail. Easy access covers. Multiple conduit knockouts listed for through branch circuit wiring.

LED MODULE & DRIVER: LED module and Xitanium driver are manufactured by Philips Lighting. 80 CRI standard. 90 CRI available.

DIMMING: Standard product is compatible with 0-10 volt dimming controls. See below for additional options.

HEAT MANAGEMENT: Engineered heat sink provides passive cooling for optimum heat management of the LED engine.

- Expected lamp life to be 50,000 hours with 70% lumen maintenance when ambient temperatures do not exceed 45°C. Lower ambient temperatures yield longer lamp life.



SERIES 6SFK/6SFL2X

Shallow Plenum LED Downlight 667-1993 Lumen



S4 SHALLOW PLENUM SERIES

5 Year Warranty

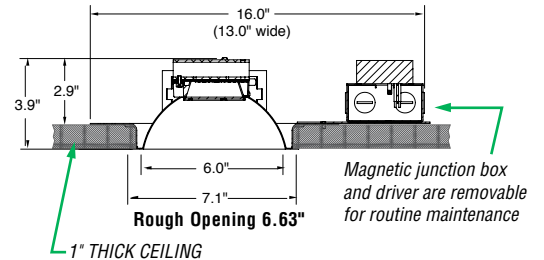


3-5 Day Quick Ship on Frame-In Kits
1-50 pieces. Mark order "Quick Ship".



Available with suspended decorative glass disk.

[CLICK HERE for S4 Brochure](#)
[CLICK HERE for More Decorative Glass Styles](#)



Catalog #:

6SFK/6SFL2X

Example: 6SFK/6SFL2X1135KE1DASCLPFEM

Frame-In Kit	Options	DLA Assembly	Lumens	Color Temp.	Input Voltage	Dimming	Trim Finish w/polished flange
6SFK ^{ES} 6SKFIEM	X = Provision for ICE glass disc	6SFL2X ^{ES}	8 = (667-746L, 9W) ^{ES} 11 = (953-1065L, 12W) ^{ES} 15 = (1316-1471L, 15W) ^{ES} 20 = (1783-1993L, 21W) ^{ES} C9 = 90 CRI <i>See next page for delivered lumens data.</i>	5K (5000K) ^{**ES} 4K (4000K) ^{ES} 35K (3500K) ^{ES} 3K (3000K) ^{ES} 27K (2700K) [*]	E1 120 Volt ^{ES} E2 277 Volt ^{ES} E3 347 Volt ^{^#}	DA Xitanium 1% 0-10V (linear) standard ^{ES} <i>More Options On Next Page</i>	Blank – 60° Open Downlight Reflector ^{ES} WL2 – Upper Lens Wet Location ^{ES} SCLPF – Soft Specular Clear Alzak ^{ES} HAZPF – Haze Alzak ICE – Decorative Glass Accessory <i>For white painted flange, drop "PF" from Catalog #. For other finishes, consult last page.</i>

ES Only options with ^{ES} are Energy Star Certified

[^] 347V input (E3) options are not compatible with emergency battery options.

EM option only suitable for damp location.

Available with DS Dimming Only

* 90 CRI Only

** 5000K only available in 80 CRI.

Options

QS = Quick Ship Model

EM[^] = Emergency Power Pack w/remotely located test switch, not suitable for wet location

IEM[^] = EM Battery Pack w/ Integral Test Switch. (Not Available for Wet Location or Lensed Fixtures)

Manufactured and tested to UL#1598/8750 and CSA standards. Fixtures are not designed for direct contact with insulation.

All Pathway[®] products meet or exceed requirements as established by the National Electrical Code. Specifications subject to change without notice. Alzak[®] is a registered trademark of Alcoa.

Fixture:	Type:
Project:	



Pathway Lighting Products, Inc., P.O. Box 591, Old Saybrook, CT 06475-0591
voice 800.342.0592 • fax 800.207.0090 • www.pathwaylighting.com • e-mail: sales@pathwaylighting.com

Dimming Options:

Specify option by suffix (shown in bold-face type)

Our White Paper regarding Linear vs. Logarithmic Operating Characteristics is available in our 'Downloads' section of our website, or you may request one by emailing Sales@PathwayLighting.com

0-10V Dimming Options	Lutron Dimming Options	DALI Dimming Options
DA = Xitanium 1% 0-10V (linear) ^{ES} DB = Xitanium 1% 0-10V (logarithmic) DC = EldoLED 0-10V 0% (logarithmic) DD = EldoLED 0-10V 1% (logarithmic) DE = EldoLED 0-10V 0% (linear) DF = EldoLED 0-10V 1% (linear) DS = Sage 0-10V 1% (linear)* DT = 0-10V 1% (linear) dim to off	DG = Lutron Eco 1% (linear) DJ = Lutron 2 wire 1% (linear)	DK = EldoLED DALI 0% (logarithmic) DL = EldoLED DALI 1% (logarithmic)
DMX Dimming Options	Misc. Dimming Options	
RDM COMPLIANT XG = DMX EldoLED 0% (logarithmic) XH = DMX EldoLED 0% (linear)	DM = 2-Wire Forward/Reverse Phase (120V)	

^{ES} Energy Star Certified

* 347V only

Delivered Lumen Data - Open Trim (3500K Color Temperature)

FIXTURE	RATED LUMENS	WATTAGE	DELIVERED LUMENS	BEAM DISTRIBUTION	LPW
6SFL2X835KSCLPF	800	9	746	60°	82.9
6SFL2X1135KSCLPF	1100	12	1065	60°	88.7
6SFL2X1535KSCLPF	1500	15	1471	60°	98.0
6SFL2X2035KSCLPF	2000	21	1993	60°	94.9

Delivered Lumen Data - WL2 Lens (3500K Color Temperature)

FIXTURE	RATED LUMENS	WATTAGE	DELIVERED LUMENS	BEAM DISTRIBUTION	LPW
6SFL2X835KWL2SCLPF	800	9	667	59°	74.1
6SFL2X1135KWL2SCLPF	1100	12	953	59°	79.4
6SFL2X1535KWL2SCLPF	1500	15	1316	59°	87.7
6SFL2X2035KWL2SCLPF	2000	21	1783	59°	84.9

Scaling factors for other color temperatures:

80 CRI: 3000K = 0.97; 4000K = 1.03; 5000K = 1.01

90 CRI: 2700K = 0.95; 3000K = 0.98; 4000K = 1.04

Available Reflector Finishes



Clear
Soft Specular **"SCL"**



Pewter
Diffused **"EPW"**
Soft Specular **"SPW"**



Haze
Diffused **"HAZ"**



Straw
Diffused **"EST"**
Soft Specular **"SST"**



Bronze
Diffused **"EBZ"**
Soft Specular **"SBZ"**



Wheat
Diffused **"EWT"**
Soft Specular **"SWT"**

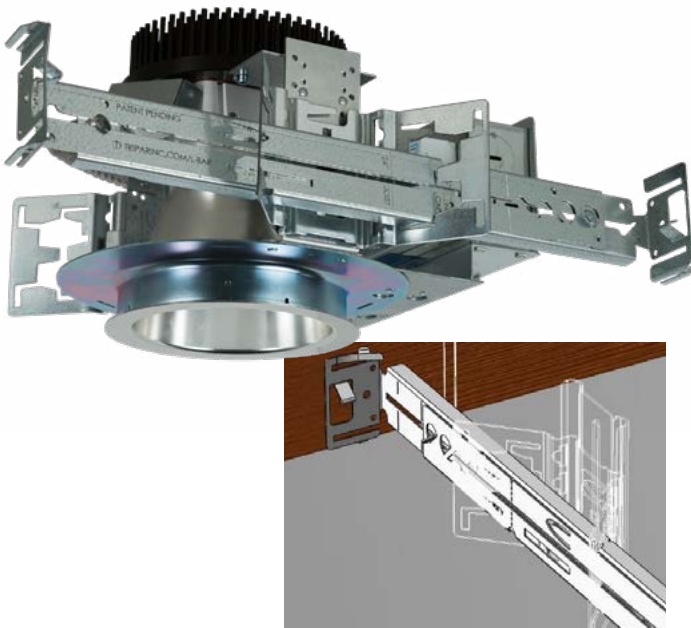
Our standard reflector finish is soft specular clear Alzak (SCL) with a polished self-flange (PF). Additional hues are noted to left. Several of these are offered in both a soft specular and a diffused/matte finish. For colors not shown, contact our sales department for advice on custom anodized finishes.

Specified suffix of desired finish.

Example: 4VLEDSCLPF

For white painted flange omit PF.

Standard Hanger Bars



Interlocking L-Bar hanger bars are now standard with all recessed Coventry Architectural lighting fixtures.

Installer friendly features include:

- L-Bars are fabricated from identical L-shaped cross sections that form a sturdy 1/2" by 1-1/2" C-channel profile for superior rigidity.
- Pre-marked with spacing locations for 24" T-bar; 16" and 24" joist ceilings (wood and metal).
- Extension locks with an easy-to-use integral twist tab. No separate fastener.
- Interlocking and expandable to 24". Can be increased to 36" or 48" with the use of one additional bars.
- Allows for offset mounting.
- Integral and barbed nail spike for wood joist ceilings.
- Fits into the C-channel notches on our butterfly mounting bracket.
- Complete details including video demonstration is available at www.pathwaylighting.com.

To increase the included L-Bar set to a 36" length, order two model #015-954 and use one per side. To increase to a 48" length, order one #LBAR which is a complete set of four bars and use two per side.