

SERIES 2LFKLCD/2LW6

2" Aperture Wall Wash

515-1510 Lumens



RM2LFKLCD
New Construction
and Remodel Style

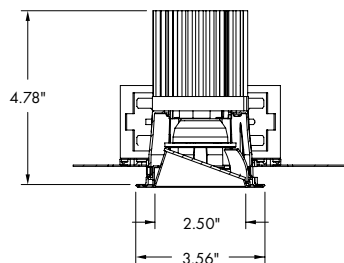


Frame-in Kit

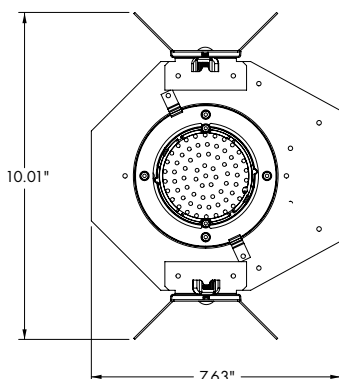
2LFKLCD
New Construction Style for use with
Flangeless (NF) Option



**Flangeless Kit for Mud-In
Trim Applications**



Rough Opening: 3.125"



APPLICATION

2" aperture recessed LED wall wash fixture is ideal for applications where discreet lighting is desired. Suitable for inaccessible and non-insulated ceilings. Laminated film lens uniformly illuminates vertical wall surfaces. Low voltage LED lighting fixtures using remote driver platforms are ideally suited to applications that require easy access to LED drivers for routine maintenance and improved LED life and reliability. Remote driver platforms are especially useful in hard to access ceilings and where historical or important architectural features cannot be disturbed after lighting fixtures are installed. These fixtures are ideally suited for general downlighting applications.

FEATURES AND BENEFITS

- Bridgelux V10 LED module provides reliable operation and consistent color between fixtures.
- Heavy-gauge galvanized steel frame-in with cast-aluminum ceiling clamp collar, is available to ship and pre-install prior to insertion of downlight (DLA) assembly.
- Accommodates ceiling thicknesses up to two inches.
- Locking clamp collar firmly attaches frame-in to ceiling material and engages DLA for a firm fit.
- IC RATED: Models with 180mA designation are IC rated and suitable for direct contact with insulation. For IC rated higher lumen models, see separate products or contact our sales department for advice.
- Round, square, downlight, and wall wash trims are interchangeable with same housing.
- Flangeless option (NF) installs after frame-ins are installed and can be added at a later date if desired. (NF not available on remodel style).

TECHNICAL DATA

- Quick-connect power connectors.
- Thermally protected.
- See table for wattages and delivered lumens at various drive currents.
- CRI = 80. Available in 90 CRI.
- Available with Bridgelux Thrive™ high fidelity human centric lighting technology.
- Expected lamp life to be 50,000 hours with 70% lumen maintenance when ambient temperatures do not exceed 45°C. Lower ambient temperatures yield longer lamp life.

REMOTE DRIVER OPTIONS

CentralDrive™ system features a remote panel that operates multiple lighting fixtures. This remote panel can be installed in an easy-to-access area such as a utility closet. Benefits include longer driver life due to reduced exposure to the heat of the LED engine and emergency (EM) options. Low voltage class 2 wiring between driver panel and lighting fixture. No conduit required.



5 Year
Warranty



HOW TO ORDER

Catalog #:

Example: RM2LFKNA

Example: 2DLNA2035KE1S20

Frame-In Kit	Options	DLA Assembly	CRI	Thrive™ Option
<p>RM2LFKLCD (New Construction/Remodel Style)</p> <p>2LFKLCD (Frame-in kit/ New Construction Style)</p>	<p>NF = Flangeless Kit</p>	<p>2DLCD</p>	<p>blank = 80 CRI C9 = 90 CRI (Not available on Thrive. Use scaling factor .83 to determine delivered lumens)</p>	<p>T = Thrive High Fidelity Human Centric Technology 95 CRI. Use scaling factor of 0.68 to determine delivered lumens.</p>

Color Temp.	Beam Dist.
<p>27K = 2700K 3K = 3000K 35K = 3500K 4K = 4000K 5K = 5000K</p>	<p>LW6 = Wide Distribution</p>

Example: 2DMWH

Trim	Trim Finish
2LW6	– Lensed Wall Wash Trim
	<p>MWH – Matte White Finish MB – Matte Black Finish HAZPF – Anodized Haze Finish with Polished Flange NF – Flangeless Trim¹</p>
For white painted flange, drop "PF" from Catalog #.	

¹ Specify "NF" in lieu of "PF". Not available on RM style product.

Fixture:	Type:
Project:	

Thrive™ is a trademark of Bridgelux Inc
Manufactured and tested to UL#1598/8750 and CSA standards.
All Pathway® products meet or exceed requirements as established by the National Electrical Code. Specifications subject to change without notice.

DELIVERED LUMENS

Delivered lumen/wattage data (3500K Color Temperature) - Open Trim

FIXTURE	TRIM	CURRENT	WATTAGE	RATED LUMENS	DELIVERED LUMENS	BEAM DISTRIBUTION	LPW
RM2LFKLCDXW55	2LW6MWH	180	6	800	515	82 horz.X 94 vert.	85.83
RM2LFKLCDXW55	2LW6MWH	300	10	1000	823	82 horz.X 94 vert.	82.30
RM2LFKLCDXW55	2LW6MWH	400	14	1500	1067	82 horz.X 94 vert.	76.21
RM2LFKLCDXW55	2LW6MWH	600	22	2000	1510	82 horz.X 94 vert.	68.64

Scaling factors for other color temperatures: 2700K = 0.92; 3000K = 0.97; 4000K = 1.01; 5000K=1.04;

5700K = 0.98; 6500K = 0.99

Scaling factor for 90 CRI=0.83

Scaling factor for Thrive Human Centric Technology = 0.68