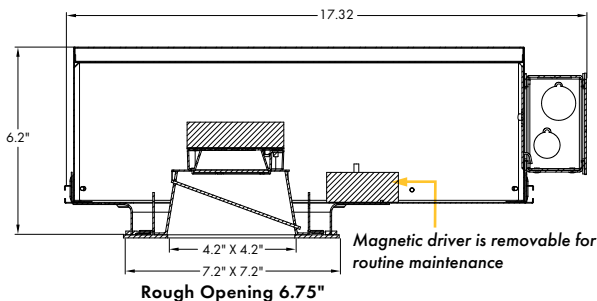


SERIES 6ICSFK/6ICSQSFL2XLW6

6" Shallow Plenum Square Lensed Wall Wash
599-1278 Lumens

**AIRTIGHT / IC RATED
CHICAGO PLENUM RATED**



APPLICATION

IC rated small-aperture lensed wall wash downlight is suitable for commercial, retail and institutional applications that require an energy saving, long life LED lamp source, excellent color rendering characteristics and shallow fixture height.

FEATURES AND BENEFITS

- IC rated/airtight housing is available to ship and preinstall prior to insertion of downlight (DLA) assembly.
- Heavy-gauge galvanized steel housing provides a secure mounting platform and accommodates ceiling thickness up to one-inch.
- DLA assembly consists of reflector (trim), engine, heat sink, driver, and quick-connect wire harness for fast installation.
- Driver is magnetically held and easily disengaged, allowing the entire DLA assembly to be removed for routine maintenance.
- Square-aperture reflector installs into round aperture recessed housing and is injection molded of high-impact polycarbonate.
- Entire reflector assembly can be removed from housing and rotated to any position to fine tune alignment.

TECHNICAL DATA

- Standard 120 or 277 VAC, 50-60 Hz. Optional 347V (E3).
- 0-10V, 1% linear dimming. See third page for other options available.
- CRI = 80. Available in 90 CRI.
- Expected lamp life to be 50,000 hours with 70% lumen maintenance when ambient temperatures do not exceed 35°C. Lower ambient temperatures yield longer lamp life.



5 Year
Warranty

HOW TO ORDER

Catalog #:

Example: 61CSFK/61CSQSFL2X1135KE1DALW6MW

Frame-In Kit	DLA Assembly	Delivered Lumens	Color Temp.	Input Voltage	Dimming
61CSFK	61CSQSFL2X	8 = (768L, 12W) 11 = (1154L, 18W) 15 = (1639L, 26W) ⁴ C9 = 90 CRI See next page for delivered lumens data.	5K = 5000K ¹ 4K = 4000K 35K = 3500K 3K = 3000K 27K = 2700K ²	E1 = 120 Volt E2 = 277 Volt E3 = 347 Volt ³	DA = Xitanium 1% 0-10V (linear) standard More Options On Next Page

Flange Finish
LW6= Wall Wash Reflector with Micro-Linear Acrylic Spread Lens BR = Brushed Clear Anodized SA = Satin Aluminum* MW = Matte White* MB = Matte Black* BZ = Dark Bronze* MA = Metallic Aluminum*
* These finishes are epoxy powder coat. Custom colors available upon request

¹ 5000K only available in 80 CRI.

² 90 CRI Only

³ Available with DS Dimming Only

⁴ 1500 lumen available only with Xitanium dimming (DA,DB) only.

Fixture:	Type:
Project:	

Manufactured and tested to UL#1598/8750 and CSA standards.
 All Pathway® products meet or exceed requirements as established by the National Electrical Code. Specifications subject to change without notice.

DIMMING OPTIONS

Specify option by suffix (shown in bold-face type)

Our White Paper regarding Linear vs. Logarithmic Operating Characteristics is available in our 'Downloads' section of our website, or you may request one by emailing Sales@PathwayLighting.com

<p>0-10V Dimming Options</p> <p>DA = Xitanium 1% 0-10V (linear)^{ES} DB = Xitanium 1% 0-10V (logarithmic) DC = EldoLED 0-10V 0% (logarithmic) DD = EldoLED 0-10V 1% (logarithmic) DE = EldoLED 0-10V 0% (linear) DF = EldoLED 0-10V 1% (linear) DS = 0-10V 1% (linear)[^] DT = 0-10V 1% (linear) dim to off</p>	<p>Lutron Dimming Options</p> <p>Contact Sales Department</p>	<p>DALI Dimming Options</p> <p>DK = EldoLED DALI 0% (logarithmic) DL = EldoLED DALI 1% (logarithmic)</p>
<p>DMX Dimming Options</p> <p>RDM COMPLIANT</p> <p>XG = DMX EldoLED 0% (logarithmic) XH = DMX EldoLED 0% (linear)</p>	<p>Misc. Dimming Options</p> <p>DM = 2-Wire Forward/Reverse Phase (120V)</p>	

^{ES} Energy Star Certified
[^] 347V only

DELIVERED LUMENS DATA

Delivered Lumen Data - (3500K Color Temperature)

FIXTURE	WATTAGE	RATED LUMENS	DELIVERED LUMENS	BEAM DISTRIBUTION	LPW
6ICSQSFL2X835KLW6MW	12	800	768	76°H X 83°V	64.00
6ICSQSFL2X1135KLW6MW	18	1100	1154	76°H X 83°V	64.11
6ICSQSFL2X1535KLW6MW	26	1500	1639	76°H X 83°V	63.04

Scaling factors for other color temperatures:

80 CRI: 3000K = 0.97; 4000K = 1.03; 5000K = 1.01
 90 CRI: 2700K = 0.95; 3000K = 0.98; 4000K = 1.04