

SERIES 6SFK/6SQSFL2X

6" Shallow Plenum Square Downlight
859-2327 Lumens



Frame-In Kit



DLA Assembly



APPLICATION

Small-aperture medium-distribution downlight is suitable for commercial, retail and institutional applications that require an energy saving, long life LED lamp source, excellent color rendering characteristics and shallow fixture height.

FEATURES AND BENEFITS

- Frame-in kit is available to ship and preinstall prior to insertion of downlight (DLA) assembly.
- DLA assembly consists of reflector (trim), engine, heat sink, driver, J-box and quick-connect wire harness for fast installation.
- Junction box is magnetized and easily disengages so entire DLA assembly can be removed for routine maintenance.
- Square-aperture reflector installs into round aperture recessed housing and is injection molded of high-impact polycarbonate.
- Entire reflector assembly can be removed from housing and rotated to any position to fine tune alignment.
- WL2 Lens suitable for wet location.
- Vertically adjustable mounting brackets accept expandable hanger bars which are included.
- Accommodates ceiling thickness up to one inch.

TECHNICAL DATA

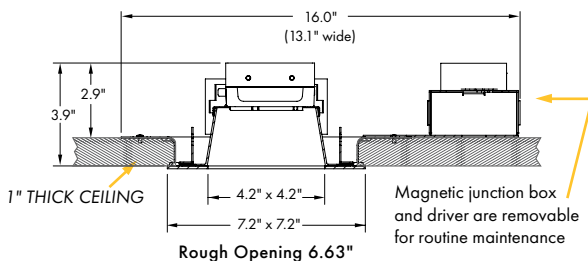
- Standard 120 or 277 VAC, 50-60 Hz. Optional 347V (E3).
- 0-10V, 1% linear dimming. See third page for other options available.
- CRI = 80. Available in 90 CRI.
- Expected lamp life to be 50,000 hours with 70% lumen maintenance when ambient temperatures do not exceed 35°C. Lower ambient temperatures yield longer lamp life.



Intertek
Damp Location
Optional Wet
Location Under
Covered Ceiling



5 Year
Warranty



HOW TO ORDER

Catalog #:
Example: 6SFK/6SQSFL2X1135KE1DAWL2SA

Frame-In Kit	DLA Assembly	Delivered Lumens	Color Temp.	Input Voltage	Dimming
6SFK ^{ES} 6SFKEM	6SQSFL2X ^{ES}	8 = (859-950L, 12W) ^{ES} 11 = (1277-1412L, 18W) ^{ES} 15 = (1833-2028L, 26W) ^{ES} 20 = (2115-2327L, 30W) ^{ES} C9 = 90 CRI See next page for delivered lumens data.	5K = 5000K ^{ES1} 4K = 4000K ^{ES} 35K = 3500K ^{ES} 3K = 3000K ^{ES} 27K = 2700K ²	E1 = 120 Volt ^{ES} E2 = 277 Volt ^{ES} E3 = 347 Volt ^{3,4}	DA = Xitanium 1% 0-10V (linear) standard ^{ES} More Options On Next Page

Flange Finish	Options
Blank = Open Downlight Reflector ^{ES} WL2 = Upper Lens Wet Location BR = Brushed Clear Anodized ^{ES} SA = Satin Aluminum* ^{ES} MW = Matte White* ^{ES} MB = Matte Black* ^{ES} BZ = Dark Bronze* ^{ES} MA = Metallic Aluminum* ^{ES} * These finishes are epoxy powder coat. Custom colors available upon request	ES = Energy Star Model QS = Quick Ship Model EM ³ = Emergency Power Pack w/remotely located test switch, not suitable for wet location

 **3-5-Days Quick Ship on Frame-In Kits 1-50 pieces. Mark order "Quick Ship".**

^{ES} Only options with ^{ES} are Energy Star Certified
¹ 5000K only available in 80 CRI.
² 90 CRI Only
³ 347V input (E3) options are not compatible with emergency battery options. EM option is only suitable for damp location.
⁴ Available with DS Dimming Only

Fixture:	Type:
Project:	

Manufactured and tested to UL#1598/8750 and CSA standards.
 All Pathway® products meet or exceed requirements as established by the National Electrical Code. Specifications subject to change without notice.

DIMMING OPTIONS

Specify option by suffix (shown in bold-face type)

Our White Paper regarding Linear vs. Logarithmic Operating Characteristics is available in our 'Downloads' section of our website, or you may request one by emailing Sales@PathwayLighting.com

0-10V Dimming Options	Lutron Dimming Options	DALI Dimming Options
DA = Xitanium 1% 0-10V (linear) ^{ES} DB = Xitanium 1% 0-10V (logarithmic) DC = EldoLED 0-10V 0% (logarithmic) DD = EldoLED 0-10V 1% (logarithmic) DE = EldoLED 0-10V 0% (linear) DF = EldoLED 0-10V 1% (linear) DS = Sage 0-10V 1% (linear) [^] DT = 0-10V 1% (linear) dim to off	DG = Lutron Eco 1% (linear) DJ = Lutron 2 wire 1% (linear)	DK = EldoLED DALI 0% (logarithmic) DL = EldoLED DALI 1% (logarithmic)
DMX Dimming Options	Misc. Dimming Options	
RDM COMPLIANT XG = DMX EldoLED 0% (logarithmic) XH = DMX EldoLED 0% (linear)	DM = 2-Wire Forward/Reverse Phase (120V)	

^{ES} Energy Star Certified
[^] 347V only

DELIVERED LUMENS DATA

Delivered Lumen Data - Open Trim (3500K Color Temperature)

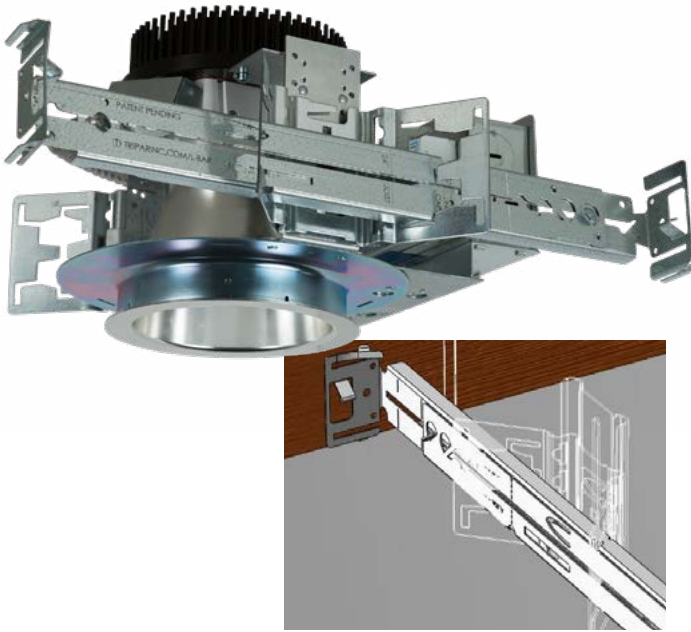
FIXTURE	WATTAGE	RATED LUMENS	DELIVERED LUMENS	BEAM DISTRIBUTION	LPW
6SQSFL2X835KMW	12	800	950	77°	79.17
6SQSFL2X1135KMW	18	1100	1412	77°	78.44
6SQSFL2X1535KMW	26	1500	2028	77°	78.00
6SQSFL2X2035KMW	30	2000	2327	77°	77.57

Delivered Lumen Data - WL2 Lens (3500K Color Temperature)

FIXTURE	WATTAGE	RATED LUMENS	DELIVERED LUMENS	BEAM DISTRIBUTION	LPW
6SQSFL2X835KWL2MW	12	800	859	78°	71.58
6SQSFL2X1135KWL2MW	18	1100	1277	78°	70.94
6SQSFL2X1535KWL2MW	26	1500	1833	78°	70.50
6SQSFL2X2035KWL2MW	30	2000	2115	78°	70.50

Scaling factors for other color temperatures:
 80 CRI: 3000K = 0.97; 4000K = 1.03; 5000K = 1.01
 90 CRI: 2700K = 0.95; 3000K = 0.98; 4000K = 1.04

Standard Hanger Bars



Interlocking L-Bar hanger bars are now standard with all recessed Coventry Architectural lighting fixtures.

Installer friendly features include:

- L-Bars are fabricated from identical L-shaped cross sections that form a sturdy 1/2" by 1-1/2" C-channel profile for superior rigidity.
- Pre-marked with spacing locations for 24" T-bar; 16" and 24" joist ceilings (wood and metal).
- Extension locks with an easy-to-use integral twist tab. No separate fastener.
- Interlocking and expandable to 24". Can be increased to 36" or 48" with the use of one additional bars.
- Allows for offset mounting.
- Integral and barbed nail spike for wood joist ceilings.
- Fits into the C-channel notches on our butterfly mounting bracket.

To increase the included L-Bar set to a 36" length, order two model #015-954 and use one per side. To increase to a 48" length, order one #LBAR which is a complete set of four bars and use two per side.