

SERIES 4SFKNF/4SFL2XLW6 No Flange

4" Shallow Plenum Round Wall Wash

644-1720 Lumens

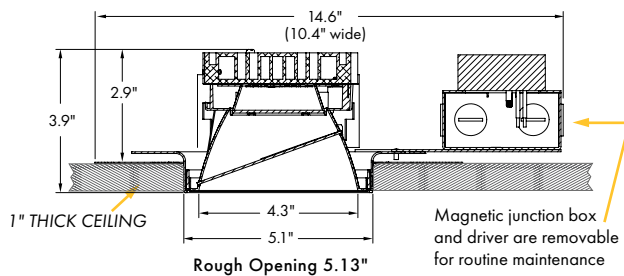


Anchor ring allows drywall to be secured to product.
Minimizes movement and reduces cracks.
Anchor ring adjusts for ceiling thickness of 1/2", 5/8", 3/4", 1"

Frame-In Kit



DLA Assembly



APPLICATION

Small-aperture lensed wall wash downlight is suitable for commercial, retail and institutional applications that require an energy saving, long life LED lamp source, excellent color rendering characteristics and shallow fixture height.

FEATURES AND BENEFITS

- Frame-in kit is available to ship and preinstall prior to insertion of downlight (DLA) assembly.
- DLA assembly consists of reflector (trim), engine, heat sink, driver, J-box and quick-connect wire harness for fast installation.
- Junction box is magnetized and easily disengages so entire DLA assembly can be removed for routine maintenance.
- Reflector optics feature an angled linear spread lens that delivers uniform illumination to vertical surfaces.
- Narrow (3/16") trim flange is flush with ceiling line for a clean appearance and smooth transition between the ceiling and fixture aperture.
- For use with drywall ceiling material only. Not suitable for suspended ceilings.
- Vertically adjustable mounting brackets accept expandable hanger bars which are included.
- Accommodates ceiling thickness up to one inch.

TECHNICAL DATA

- Standard 120 or 277 VAC, 50-60 Hz. Optional 347V (E3).
- 0-10V, 1% linear dimming. See third page for other options available.
- CRI = 80. Available in 90 CRI.
- Expected lamp life to be 50,000 hours with 70% lumen maintenance when ambient temperatures do not exceed 35°C. Lower ambient temperatures yield longer lamp life.



5 Year
Warranty



HOW TO ORDER

Catalog #:

Example: 4SFKNF/4SFL2X1135KE1DALW6SCLNF

Frame-In Kit	DLA Assembly	Delivered Lumens	Color Temp.	Input Voltage	Dimming
4SFKNF ^{ES}	4SFL2X ^{ES}	8 = (644L, 9W) ^{ES} 11 = (919L, 12W) ^{ES} 15 = (1269L, 15W) ^{ES} 20 = (1720L, 21W) ^{ES} C9 = 90 CRI See next page for delivered lumens data.	5K = 5000K ^{ES1} 4K = 4000K ^{ES} 35K = 3500K ^{ES} 3K = 3000K ^{ES} 27K = 2700K ²	E1 = 120 Volt ^{ES} E2 = 277 Volt ^{ES} E3 = 347 Volt ³⁴	DA = Xitanium 1% 0-10V (linear) standard ^{ES} More Options On Next Page

Flange Finish	Options
LW6 – Wall Wash Reflector with Micro-Linear Acrylic Spread Lens ^{ES} SCL – Soft Specular Clear Alzak ^{ES} HAZ – Haze Alzak NF – Flush Mount Trim ^{ES} (Drywall Ceilings Only)	ES = Energy Star Model QS = Quick Ship Model EM ³ = Emergency Power Pack w/remotely located test switch

^{ES} Only options with ^{ES} are Energy Star Certified

¹ 5000K only available in 80 CRI.

² 90 CRI Only

³ 347V input (E3) options are not compatible with emergency battery options.

⁴ Available with DS Dimming Only

Fixture:	Type:
Project:	

Manufactured and tested to UL#1598/8750 and CSA standards.
 All Pathway® products meet or exceed requirements as established by the National Electrical Code. Specifications subject to change without notice.

DIMMING OPTIONS

Specify option by suffix (shown in bold-face type)

Our White Paper regarding Linear vs. Logarithmic Operating Characteristics is available in our 'Downloads' section of our website, or you may request one by emailing Sales@PathwayLighting.com

0-10V Dimming Options	Lutron Dimming Options	DALI Dimming Options
DA = Xitanium 1% 0-10V (linear) ^{ES} DB = Xitanium 1% 0-10V (logarithmic) DC = EldoLED 0-10V 0% (logarithmic) DD = EldoLED 0-10V 1% (logarithmic) DE = EldoLED 0-10V 0% (linear) DF = EldoLED 0-10V 1% (linear) DS = Sage 0-10V 1% (linear) [^] DT = 0-10V 1% (linear) dim to off	DG = Lutron Eco 1% (linear) DJ = Lutron 2 wire 1% (linear)	DK = EldoLED DALI 0% (logarithmic) DL = EldoLED DALI 1% (logarithmic)
DMX Dimming Options	Misc. Dimming Options	
RDM COMPLIANT XG = DMX EldoLED 0% (logarithmic) XH = DMX EldoLED 0% (linear)	DM = 2-Wire Forward/Reverse Phase (120V)	

^{ES} Energy Star Certified
[^] 347V only

DELIVERED LUMENS DATA

Delivered Lumen Data - (3500K Color Temperature)

FIXTURE	RATED LUMENS	WATTAGE	DELIVERED LUMENS	BEAM DISTRIBUTION	LPW
4SFL2X835KLW6SCLNF	800	9	644	82° VERT X 71° HORIZ	71.5
4SFL2X1135KLW6SCLNF	1100	12	919	82° VERT X 71° HORIZ	76.6
4SFL2X1535KLW6SCLNF	1500	15	1269	82° VERT X 71° HORIZ	84.6
4SFL2X2035KLW6SCLNF	2000	21	1720	82° VERT X 71° HORIZ	81.9

Scaling factors for other color temperatures:

80 CRI: 3000K = 0.97; 4000K = 1.03; 5000K = 1.01
 90 CRI: 2700K = 0.95; 3000K = 0.98; 4000K = 1.04

Available Reflector Finishes



Clear
Soft Specular "SCL"



Pewter
Diffused "EPW"
Soft Specular "SPW"



Haze
Diffused "HAZ"



Straw
Diffused "EST"
Soft Specular "SST"



Bronze
Diffused "EBZ"
Soft Specular "SBZ"

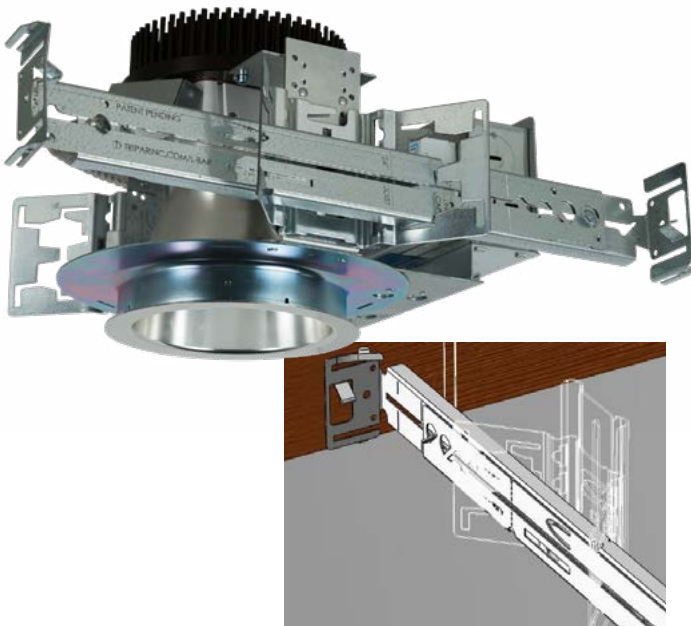


Wheat
Diffused "EWT"
Soft Specular "SWT"

Our standard reflector finish is soft specular clear Alzak (SCL) with a polished self-flange (PF). Additional hues are noted to left. Several of these are offered in both a soft specular and a diffused/matte finish. For colors not shown, contact our sales department for advice on custom anodized finishes.

Specified suffix of desired finish.
Example: 4VLEDSCLPF
For white painted flange omit PF.

Standard Hanger Bars



Interlocking L-Bar hanger bars are now standard with all recessed Coventry Architectural lighting fixtures.

Installer friendly features include:

- L-Bars are fabricated from identical L-shaped cross sections that form a sturdy 1/2" by 1-1/2" C-channel profile for superior rigidity.
- Extension locks with an easy-to-use integral twist tab. No separate fastener.
- Interlocking and expandable to 24". Can be increased to 36" or 48" with the use of one additional bars.
- Allows for offset mounting.
- Integral and barbed nail spike for wood joist ceilings.
- Fits into the C-channel notches on our butterfly mounting bracket.