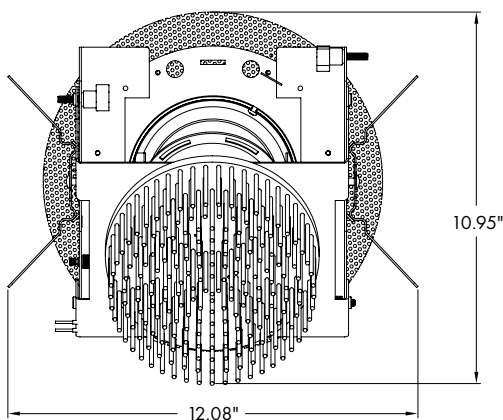
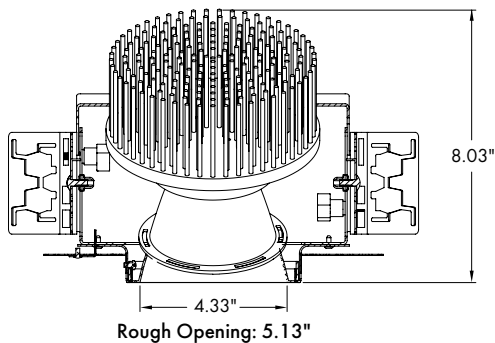


SERIES 4SCALCD-NF No Flange

4" Round Adjustable Downlight
680-6579 Lumens



APPLICATION

Low voltage LED lighting fixtures using remote driver platforms are ideally suited to applications that require easy access to LED drivers for routine maintenance and improved LED life and reliability. Remote driver platforms are especially useful in hard to access ceilings and where historical or important architectural features cannot be disturbed after lighting fixtures are installed.

FEATURES AND BENEFITS

- Bridgelux LED module provides reliable operation and consistent color between fixtures.
- Narrow (3/16") trim flange is flush with ceiling line for a clean appearance and smooth transition between the ceiling and fixture aperture.
- Dual optical system features an upper primary beam reflector that determines beam distribution and a lower reflector to finish the ceiling without glare.
- Single axis adjustable chassis that tilts up to 38° to accommodate sloped ceilings or to provide wall wash and accent lighting. Heavy-gauge galvanized steel housing provides a secure mounting platform for the electrical components and protects the optical assembly.
- Vertically adjustable mounting brackets accept expandable hanger bars which are included.

TECHNICAL DATA

- Quick-connect power connectors.
- Thermally protected.
- See table for wattages and delivered lumens at various drive currents.
- CRI = 80. Available in 90 CRI.
- Available with Bridgelux Thrive™ high fidelity human centric lighting technology.
- Max current on Thrive fixtures is 1200mA.
- Expected lamp life to be 50,000 hours with 70% lumen maintenance when ambient temperatures do not exceed 45°C. Lower ambient temperatures yield longer lamp life.

REMOTE DRIVER OPTIONS

CentralDrive™ system features a remote panel that operates multiple lighting fixtures. This remote panel can be installed in an easy-to-access area such as a utility closet. Benefits include longer driver life due to reduced exposure to the heat of the LED engine and emergency (EM) options. Low voltage class 2 wiring between driver panel and lighting fixture. No conduit required.



5 Year
Warranty



HOW TO ORDER

Catalog #:

Example: 4SCALCDB79VA35KM40

Fix	Lumen Level	Thrive™	Color Temperature	Beam Distribution
4SCALCDB79V (680-8579 delivered lumens)	A = Low Lumen ¹ B = High Lumen ¹ C9 = 90 CRI	<u>T = Thrive High Fidelity Human Centric Technology</u> 95 CRI. Use scaling factor of 0.68 to determine delivered lumens. Max current is 1200mA	5K = 5000K 4K = 4000K 35K = 3500K 3K = 3000K 27K = 2700K	M40 = 40° W50 = 50° XW60 = 60° FL70 = 70° L = Wide

¹ See delivered lumens chart on next page.

² Lenses require the use of "L" beam distribution.

Example: 4SCASCLPF

Trim	Trim Finish w/polished flange
4SCA	– Angled Reflector for following lenses: L3 – C73 Prismatic Glass Lens (54° beam) ² L5 – Frosted Glass Lens (47° beam) ² L6 – Frosted Acrylic Lens (54° beam) ² L7 – Solite Micro-Prismatic Lens (50° beam) ² L8 – Clear Poly-Carbonate Lens (50° beam) ² L9 – Clear Tempered Glass Lens (50° beam) ² LW6 – Micro Linear Spread Lens (46° H x 58°V beam) ² SCLNF – Soft Specular Clear Alzak HAZNF – Haze Alzak

Fixture:	Type:
Project:	

Thrive™ is a trademark of Bridgelux Inc

Manufactured and tested to UL#2108 and CSA standards.

All Pathway® products meet or exceed requirements as established by the National Electrical Code. Specifications subject to change without notice.

DELIVERED LUMENS DATA

Data based on fixture with 3500K Color Temperature at Specific Drive Currents for Low Lumen Fixtures

FIXTURE	TRIM	CURRENT (mA)	WATTAGE	RATED LUMENS	DELIVERED LUMENS	BEAM DISTRIBUTION	LPW
4SCALCDB79V35KM40NF	4SCASCLNF	200	7	1000	944	40°	134.81
4SCALCDB79V35KW50NF	4SCASCLNF	200	7	1000	935	50°	133.56
4SCALCDB79V35KXW60NF	4SCASCLNF	200	7	1000	698	60°	99.71
4SCALCDB79V35KFL70NF	4SCASCLNF	200	7	1000	680	70°	97.13
4SCALCDB79V35KM40NF	4SCASCLNF	300	10	1500	1201	40°	120.11
4SCALCDB79V35KW50NF	4SCASCLNF	300	10	1500	1190	50°	118.99
4SCALCDB79V35KXW60NF	4SCASCLNF	300	10	1500	888	60°	88.83
4SCALCDB79V35KFL70NF	4SCASCLNF	300	10	1500	865	70°	86.53
4SCALCDB79V35KM40NF	4SCASCLNF	350	12	1750	1544	40°	128.69
4SCALCDB79V35KW50NF	4SCASCLNF	350	12	1750	1530	50°	127.49
4SCALCDB79V35KXW60NF	4SCASCLNF	350	12	1750	1142	60°	95.18
4SCALCDB79V35KFL70NF	4SCASCLNF	350	12	1750	1113	70°	92.72
4SCALCDB79V35KM40NF	4SCASCLNF	400	14	2000	1887	40°	134.81
4SCALCDB79V35KW50NF	4SCASCLNF	400	14	2000	1870	50°	133.56
4SCALCDB79V35KXW60NF	4SCASCLNF	400	14	2000	1396	60°	99.71
4SCALCDB79V35KFL70NF	4SCASCLNF	400	14	2000	1360	70°	97.13
4SCALCDB79V35KM40NF	4SCASCLNF	500	17	2500	2316	40°	136.25
4SCALCDB79V35KW50NF	4SCASCLNF	500	17	2500	2295	50°	134.98
4SCALCDB79V35KXW60NF	4SCASCLNF	500	17	2500	1713	60°	100.77
4SCALCDB79V35KFL70NF	4SCASCLNF	500	17	2500	1669	70°	98.17
4SCALCDB79V35KM40NF	4SCASCLNF	600	21	3000	2745	40°	130.73
4SCALCDB79V35KW50NF	4SCASCLNF	600	21	3000	2720	50°	129.51
4SCALCDB79V35KXW60NF	4SCASCLNF	600	21	3000	2030	60°	96.69
4SCALCDB79V35KFL70NF	4SCASCLNF	600	21	3000	1978	70°	94.19
4SCALCDB79V35KM40NF	4SCASCLNF	700	25	3500	3174	40°	126.97
4SCALCDB79V35KW50NF	4SCASCLNF	700	25	3500	3145	50°	125.79
4SCALCDB79V35KXW60NF	4SCASCLNF	700	25	3500	2348	60°	93.91
4SCALCDB79V35KFL70NF	4SCASCLNF	700	25	3500	2287	70°	91.48
4SCALCDB79V35KM40NF	4SCASCLNF	800	29	4000	3603	40°	124.25
4SCALCDB79V35KW50NF	4SCASCLNF	800	29	4000	3570	50°	123.09
4SCALCDB79V35KXW60NF	4SCASCLNF	800	29	4000	2665	60°	91.89
4SCALCDB79V35KFL70NF	4SCASCLNF	800	29	4000	2596	70°	89.52
4SCALCDB79V35KM40NF	4SCASCLNF	1000	36	5000	4461	40°	123.92
4SCALCDB79V35KW50NF	4SCASCLNF	1000	36	5000	4419	50°	122.76
4SCALCDB79V35KXW60NF	4SCASCLNF	1000	36	5000	3299	60°	91.65
4SCALCDB79V35KFL70NF	4SCASCLNF	1000	36	5000	3214	70°	89.28

Scaling factors for other color temperatures: 2700K = 0.92; 3000K = 0.97; 4000K = 1.01; 5000K=1.04

Scaling factor for 90 CRI=0.83

Scaling factor for Thrive Human Centric Technology = 0.68

DELIVERED LUMENS DATA

Data based on fixture with 3500K Color Temperature at Specific Drive Currents for High Lumen Fixtures

FIXTURE	TRIM	CURRENT (mA)	WATTAGE	RATED LUMENS	DELIVERED LUMENS	BEAM DISTRIBUTION	LPW
4SCALCDB79V35KM40NF	4SCASCLNF	1200	44	6000	5319	40°	120.89
4SCALCDB79V35KW50NF	4SCASCLNF	1200	44	6000	5269	50°	119.76
4SCALCDB79V35KXW60NF	4SCASCLNF	1200	44	6000	3934	60°	89.41
4SCALCDB79V35KFL70NF	4SCASCLNF	1200	44	6000	3832	70°	87.10
4SCALCDB79V35KM40NF	4SCASCLNF	1750	65	8000	7378	40°	113.51
4SCALCDB79V35KW50NF	4SCASCLNF	1750	65	8000	7309	50°	112.45
4SCALCDB79V35KXW60NF	4SCASCLNF	1750	65	8000	5457	60°	83.95
4SCALCDB79V35KFL70NF	4SCASCLNF	1750	65	8000	5316	70°	81.78
4SCALCDB79V35KM40NF	4SCASCLNF	2100	80	10000	8579	40°	107.24
4SCALCDB79V35KW50NF	4SCASCLNF	2100	80	10000	8499	50°	106.24
4SCALCDB79V35KXW60NF	4SCASCLNF	2100	80	10000	6345	60°	79.31
4SCALCDB79V35KFL70NF	4SCASCLNF	2100	80	10000	6181	70°	77.26

Scaling factors for other color temperatures: 2700K = 0.92; 3000K = 0.97; 4000K = 1.01; 5000K=1.04

Scaling factor for 90 CRI=0.83

Scaling factor for Thrive Human Centric Technology = 0.68

Available Reflector Finishes



Clear
Soft Specular "SCL"



Pewter
Diffused "EPW"
Soft Specular "SPW"



Haze
Diffused "HAZ"



Straw
Diffused "EST"
Soft Specular "SST"



Bronze
Diffused "EBZ"
Soft Specular "SBZ"

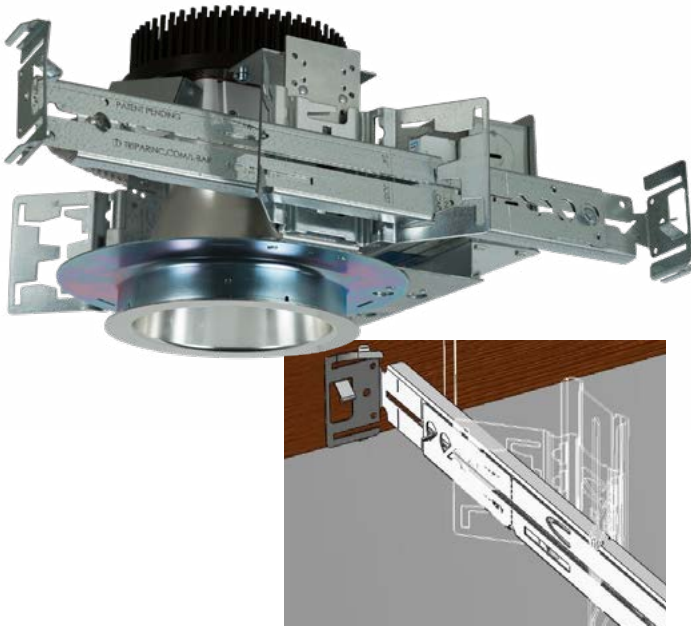


Wheat
Diffused "EWT"
Soft Specular "SWT"

Our standard reflector finish is soft specular clear Alzak (SCL) with a polished self-flange (PF). Additional hues are noted to left. Several of these are offered in both a soft specular and a diffused/matte finish. For colors not shown, contact our sales department for advice on custom anodized finishes.

Specified suffix of desired finish.
Example: 4VLEDSCLPF
For white painted flange omit PF.

Standard Hanger Bars



Interlocking L-Bar hanger bars are now standard with all recessed Coventry Architectural lighting fixtures.

Installer friendly features include:

- L-Bars are fabricated from identical L-shaped cross sections that form a sturdy 1/2" by 1-1/2" C-channel profile for superior rigidity.
- Pre-marked with spacing locations for 24" T-bar; 16" and 24" joist ceilings (wood and metal).
- Extension locks with an easy-to-use integral twist tab. No separate fastener.
- Interlocking and expandable to 24". Can be increased to 36" or 48" with the use of one additional bars.
- Allows for offset mounting.
- Integral and barbed nail spike for wood joist ceilings.
- Fits into the C-channel notches on our butterfly mounting bracket.

To increase the included L-Bar set to a 36" length, order two model #015-954 and use one per side. To increase to a 48" length, order one #LBAR which is a complete set of four bars and use two per side.