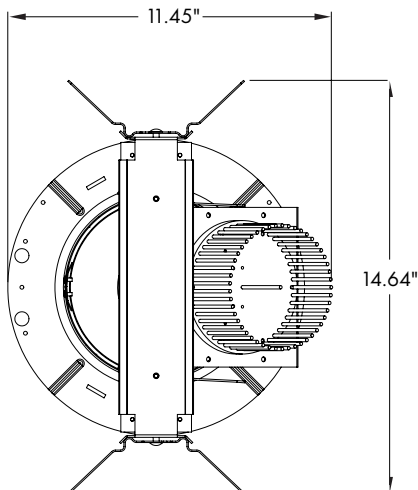
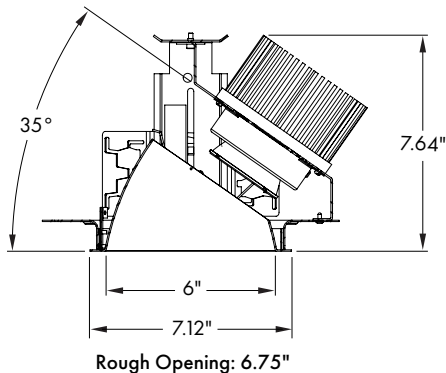


## SERIES 6LCDLW6

6" Round Lensed Wall Wash

922-7622 Lumens



### APPLICATION

Low voltage LED lighting fixtures using remote driver platforms are ideally suited to applications that require easy access to LED drivers for routine maintenance and improved LED life and reliability. Remote driver platforms are especially useful in hard to access ceilings and where historical or important architectural features cannot be disturbed after lighting fixtures are installed.

### FEATURES AND BENEFITS

- Bridgelux LED module provides reliable operation and consistent color between fixtures.
- Dual optical system features a upper primary beam reflector that punches light through a diffusing lens that provides uniform illumination of vertical wall surfaces.
- Heavy-gauge galvanized steel housing provides a secure mounting platform for the electrical components and protects the optical assembly.
- Vertically adjustable mounting brackets accept expandable hanger bars which are included.

### TECHNICAL DATA

- Quick-connect power connectors.
- Thermally protected.
- See table for wattages and delivered lumens at various drive currents.
- CRI = 80. Available in 90 CRI.
- Available with Bridgelux Thrive™ high fidelity human centric lighting technology.
- Max current on Thrive fixtures is 1200mA.
- Expected lamp life to be 50,000 hours with 70% lumen maintenance when ambient temperatures do not exceed 45°C. Lower ambient temperatures yield longer lamp life.

### REMOTE DRIVER OPTIONS

CentralDrive™ system features a remote panel that operates multiple lighting fixtures. This remote panel can be installed in an easy-to-access area such as a utility closet. Benefits include longer driver life due to reduced exposure to the heat of the LED engine and emergency (EM) options. Low voltage class 2 wiring between driver panel and lighting fixture. No conduit required.



5 Year  
Warranty



**HOW TO ORDER**

**Catalog #:**

Example: 6LCDB79VLWA35KM40

Fix	Lumen Level	Thrive™	Color Temperature	Beam Distribution
<b>6LCDB79VLW</b> (922-7622 delivered lumens)	<b>A</b> = Low Lumen <sup>1</sup> <b>B</b> = High Lumen <sup>1</sup> <b>C9</b> = 90 CRI	<u>T = Thrive High Fidelity Human Centric Technology</u> 95 CRI. Use scaling factor of 0.68 to determine delivered lumens. <b>Max current is 1200mA</b>	<b>5K</b> = 5000K <b>4K</b> = 4000K <b>35K</b> = 3500K <b>3K</b> = 3000K <b>27K</b> = 2700K	<b>W</b> = 54° vert. x 43° horiz.

<sup>1</sup> See delivered lumens chart on next page.

Example: 6LBVLW6SCLPF

Trim	Trim Finish w/polished flange
<b>6LBVLW6</b>	– Acrylic Micro-Linear Spread Lens  <b>SCLPF</b> – Soft Specular Clear Alzak <b>HAZPF</b> – Haze Alzak
For white painted flange, drop "PF" from Catalog #. For other finishes, consult last page.	

Fixture:	Type:
Project:	

Thrive™ is a trademark of Bridgelux Inc  
 Manufactured and tested to UL#1598/8750 and CSA standards.  
 All Pathway® products meet or exceed requirements as established by the National Electrical Code. Specifications subject to change without notice.

**DELIVERED LUMENS DATA**

Data based on fixture with 3500K Color Temperature

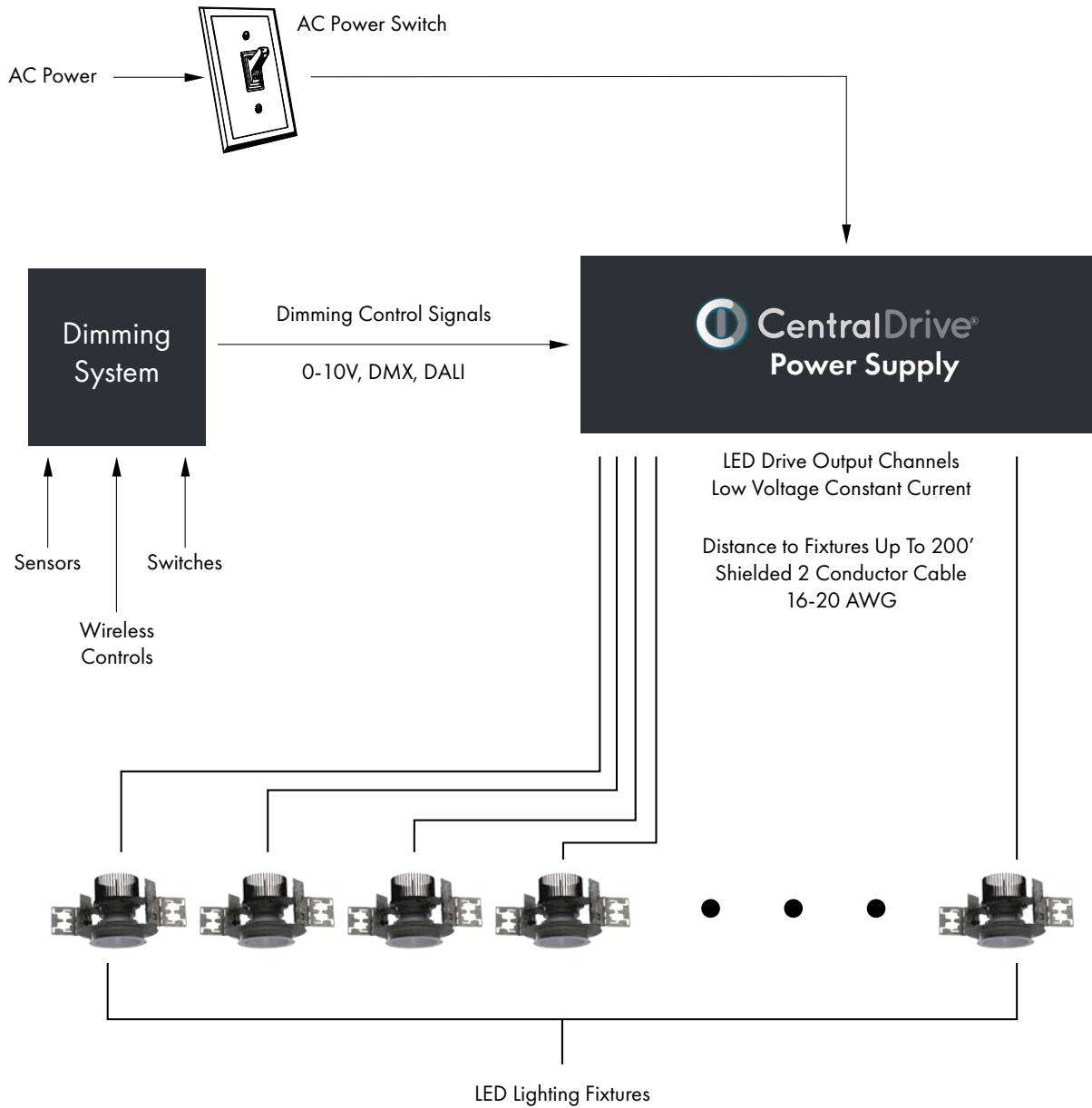
LUMEN LEVEL	FIXTURE	TRIM	CURRENT (mA)	WATTAGE	DELIVERED LUMENS	BEAM DISTRIBUTION	LPW
LOW LUMEN	6LCDB79VLW35KW	6VLBVLW6SCLPF	200	7	922	68°V X 53°H	131.71
	6LCDB79VLW35KW	6VLBVLW6SCLPF	300	10	1134	68°V X 53°H	113.40
	6LCDB79VLW35KW	6VLBVLW6SCLPF	350	12	1509	68°V X 53°H	125.75
	6LCDB79VLW35KW	6VLBVLW6SCLPF	400	14	1845	68°V X 53°H	131.79
	6LCDB79VLW35KW	6VLBVLW6SCLPF	500	17	2264	68°V X 53°H	133.18
	6LCDB79VLW35KW	6VLBVLW6SCLPF	600	21	2683	68°V X 53°H	127.76
	6LCDB79VLW35KW	6VLBVLW6SCLPF	700	25	3102	68°V X 53°H	124.08
	6LCDB79VLW35KW	6VLBVLW6SCLPF	800	29	3521	68°V X 53°H	121.41
	6LCDB79VLW35KW	6VLBVLW6SCLPF	1000	36	4359	68°V X 53°H	121.08
HIGH LUMEN	6LCDB79VLW35KW	6VLBVLW6SCLPF	1200	44	5199	68°V X 53°H	118.16
	6LCDB79VLW35KW	6VLBVLW6SCLPF	1750	65	7211	68°V X 53°H	110.94
	6LCDB79VLW35KW	6CALBVLW6SCLPF	2100	80	7622	68°V X 53°H	95.28

Scaling factors for other color temperatures: 2700K = 0.92; 3000K = 0.97; 4000K = 1.01; 5000K=1.04

Scaling factor for 90 CRI=0.83

Scaling factor for Thrive Human Centric Technology = 0.68

# Typical Layout for Low Voltage LED Lighting Fixtures with Remote Driver Platform



Note: For all CentralDrive systems, emergency backup applications must use a dedicated power supply supported by inverter/generator power.

## Available Reflector Finishes



Clear  
Soft Specular "SCL"



Pewter  
Diffused "EPW"  
Soft Specular "SPW"



Haze  
Diffused "HAZ"



Straw  
Diffused "EST"  
Soft Specular "SST"



Bronze  
Diffused "EBZ"  
Soft Specular "SBZ"

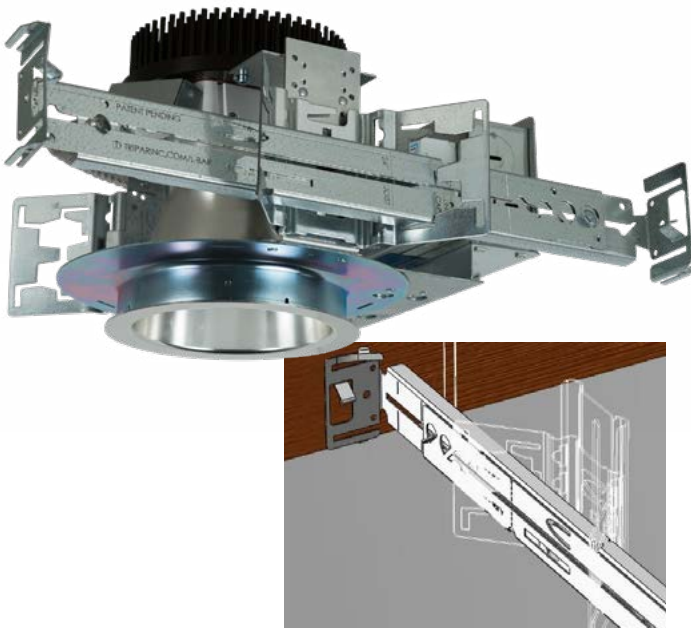


Wheat  
Diffused "EWT"  
Soft Specular "SWT"

Our standard reflector finish is soft specular clear Alzak (SCL) with a polished self-flange (PF). Additional hues are noted to left. Several of these are offered in both a soft specular and a diffused/matte finish. For colors not shown, contact our sales department for advice on custom anodized finishes.

Specified suffix of desired finish.  
Example: 4VLEDSCLPF  
For white painted flange omit PF.

## Standard Hanger Bars



Interlocking L-Bar hanger bars are now standard with all recessed Coventry Architectural lighting fixtures.

Installer friendly features include:

- L-Bars are fabricated from identical L-shaped cross sections that form a sturdy 1/2" by 1-1/2" C-channel profile for superior rigidity.
- Pre-marked with spacing locations for 24" T-bar; 16" and 24" joist ceilings (wood and metal).
- Extension locks with an easy-to-use integral twist tab. No separate fastener.
- Interlocking and expandable to 24". Can be increased to 36" or 48" with the use of one additional bars.
- Allows for offset mounting.
- Integral and barbed nail spike for wood joist ceilings.
- Fits into the C-channel notches on our butterfly mounting bracket.

To increase the included L-Bar set to a 36" length, order two model #015-954 and use one per side. To increase to a 48" length, order one #LBAR which is a complete set of four bars and use two per side.