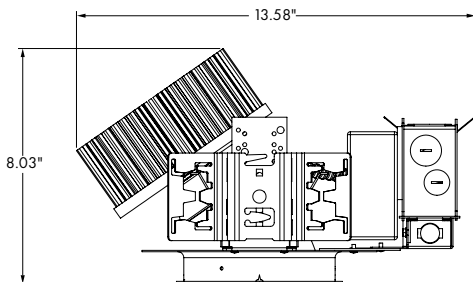
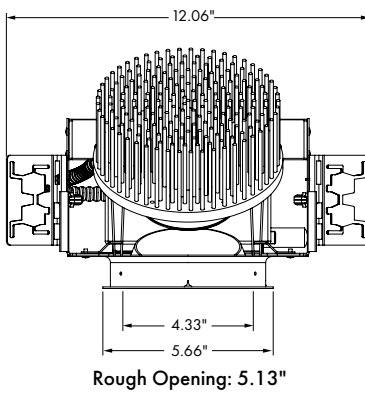


**SERIES 4LBVLW**  
**Lensed Wall Wash**

4" Aperture  
558-6903 Lumens



**APPLICATION**

High-lumen LED fixtures are ideally suited for applications that require efficient and uniform illumination of vertical surfaces using lensed wall wash reflector optics.

**FEATURES AND BENEFITS**

- Bridgelux LED module provides reliable operation and consistent color between fixtures.
- Dual optical system features a upper primary beam reflector that punches light through a diffusing lens that provides uniform illumination of vertical wall surfaces.
- Heavy-gauge galvanized steel housing provides a secure mounting platform for the electrical components and protects the optical assembly.
- Vertically adjustable mounting brackets accept expandable hanger bars which are included.

**TECHNICAL DATA**

- Input: 120 or 277 VAC, 50-60Hz
- 0-10V, 1% linear dimming. See third page for other options available.
- CRI = 80. Available in 90 CRI.
- Available with Bridgelux Thrive™ high fidelity human centric lighting technology.
- Expected lamp life to be 50,000 hours with 70% lumen maintenance when ambient temperatures do not exceed 45°C. Lower ambient temperatures yield longer lamp life.

**REMOTE DRIVER OPTION (PUBLISHED SEPARATELY)**

CentralDrive® system features a remote panel that operates multiple lighting fixtures. This remote panel can be installed in an easy-to-access area such as a utility closet, so driver replacements are convenient. Benefits also include longer driver life due to decreased exposure to the heat of the LED engine.

Lighting fixtures for this remote driver system are published separately and can be found on our website. Please contact our sales team for more information on this option.



5 Year  
Warranty



**HOW TO ORDER**

**Catalog #:**  
Example: 4LBVLW1035KE1WDA

Fixture Series	Delivered Lumens (Range)	Color Temp.	Color Temp.	Input Voltage
4LBVLW	10 = 558L, 9W 20 = 1347L, 21W 30 = 1851L, 29W 40 = 2552L, 42W 50 = 3004L, 50W 60 = 3643L, 64W 70 = 4151L, 75W 80 = 4443L, 83W 90 = 6318L, 84W 100 = 6903L, 93W  C9 = 90 CRI  See next page for details on delivered lumens.	T = Thrive High Fidelity Human Centric Technology*  95 CRI. Use scaling factor of 0.68 to determine delivered lumens.	5K = 5000K 4K = 4000K 35K = 3500K 3K = 3000K 27K = 2700K	E1 120 Volt E2 277 Volt E3 347 Volt**^

Beam Dist.	Dimming	Options
W = 58° vert. x 47° horiz.	DA = Xitanium 1% 0-10V (linear) is standard.  More options on next page	EM^ = Emergency Power Pack

Example: 4LBVLW6SCLPF

Trim	Trim Finish w/polished flange
4LBVLW6	– Acrylic Micro-Linear Spread Lens  SCLPF – Soft Specular Clear Alzak HAZPF – Haze Alzak
For white painted flange, drop "PF" from Catalog #. For other finishes, consult last page.	

\* Only available on models with lumen designations 10-80.  
 \*\* 347V limited to 10-50 lumen designations and DS dimming option.  
 ^ DMX and 347V options are not compatible with emergency battery options.

Fixture:	Type:
Project:	

Thrive™ is a trademark of Bridgelux Inc  
 Manufactured and tested to UL#1598/8750 and CSA standards.  
 All Pathway® products meet or exceed requirements as established by the National Electrical Code. Specifications subject to change without notice.

**DIMMING OPTIONS**

Specify option by suffix (shown in bold-face type)

Our White Paper regarding Linear vs. Logarithmic Operating Characteristics is available in our 'Downloads' section of our website, or you may request one by emailing [Sales@PathwayLighting.com](mailto:Sales@PathwayLighting.com)

0-10V Dimming Options	Lutron Dimming Options	DALI Dimming Options
<b>DA</b> = Xitanium 1% 0-10V (linear)# <b>DB</b> = Xitanium 1% 0-10V (logarithmic)# <b>DC</b> = EldoLED 0-10V 0% (logarithmic)# <b>DD</b> = EldoLED 0-10V 1% (logarithmic)# <b>DE</b> = EldoLED 0-10V 0% (linear)# <b>DF</b> = EldoLED 0-10V 1% (linear)# <b>DR</b> = ERP 01-10V 1% (linear) lumen designation 100 only <b>DS</b> = 0-10V 1% (linear) 347V only, max lumen designation 50 <b>DT</b> = 0-10V 1% (linear) dim to off, max lumen designation 50	<b>Max Lumen Designation of 40</b> <b>DG</b> = Lutron Eco 1% (linear) <b>DJ</b> = Lutron 2 wire 1% (linear)	<b>Max Lumen Designation of 90</b> <b>DK</b> = EldoLED DALI 0% (logarithmic) <b>DL</b> = EldoLED DALI 1% (logarithmic)

DMX Dimming Options	Misc. Dimming Options
<b>Max Lumen Designation of 40</b> <b>RDM COMPLIANT</b> <b>XG</b> = DMX EldoLED 0% (logarithmic) <b>XH</b> = DMX EldoLED 0% (linear)	<b>DP</b> = ERP 2-Wire Forward/Reverse Phase (120V, lumen designation 100 only) <b>DQ</b> = 2-Wire forward/reverse phase (120V) and 0-10V (1% linear) max lumen designation 80

DMX^ Dimming Options (interfaced through 0-10V driver)
<b>XA</b> = DMX Xitanium 1% (linear)^# <b>XB</b> = DMX Xitanium 1% (logarithmic)^# <b>XC</b> = DMX EldoLED 0% (logarithmic)^# <b>XD</b> = DMX EldoLED 1% (logarithmic)^# <b>XE</b> = DMX EldoLED 0% (linear)^# <b>XF</b> = DMX EldoLED 1% (linear)^# <b>XR</b> = DMX 1% (linear) lumen desig. 100 only^

^ DMX and 347V options are not compatible with emergency battery options.  
 # Only available with lumen designations 10-90.

**DELIVERED LUMENS DATA**

**Delivered Lumen Data - Clear Polycarbonate Lens (3500K Color Temperature)**

FIXTURE	TRIM	WATTAGE	RATED LUMENS	DELIVERED LUMENS	BEAM DISTRIBUTION	LPW
4LBVLW1035KL	4LBVLW6SCLPF	9	1000	558	47°H X 58°V	61.95
4LBVLW2035KL	4LBVLW6SCLPF	21	2000	1347	47°H X 58°V	64.16
4LBLVW3035KL	4LBVLW6SCLPF	29	3000	1851	47°H X 58°V	63.84
4LBLVW4035KL	4LBVLW6SCLPF	42	4000	2552	47°H X 58°V	60.77
4LBLVW5035KL	4LBVLW6SCLPF	50	5000	3004	47°H X 58°V	60.07
4LBLVW6035KL	4LBVLW6SCLPF	64	6000	3643	47°H X 58°V	56.92
4LBLVW7035KL	4LBVLW6SCLPF	75	7000	4151	47°H X 58°V	55.35
4LBVLW8035KL	4LBVLW6SCLPF	83	8000	4443	47°H X 58°V	53.53
4LBVLW9035KL	4LBVLW6SCLPF	84	9000	6318	47°H X 58°V	75.21
4LBVLW10035KL	4LBVLW6SCLPF	93	10000	6903	47°H X 58°V	74.23

Scaling factors for other color temperatures: 2700K = 0.92; 3000K = 0.97; 4000K = 1.01; 5000K=1.04

Scaling factor for 90 CRI=0.83

Scaling factor for Thrive Human Centric Technology = 0.68

## Available Reflector Finishes



Clear  
Soft Specular "SCL"



Pewter  
Diffused "EPW"  
Soft Specular "SPW"



Haze  
Diffused "HAZ"



Straw  
Diffused "EST"  
Soft Specular "SST"



Bronze  
Diffused "EBZ"  
Soft Specular "SBZ"

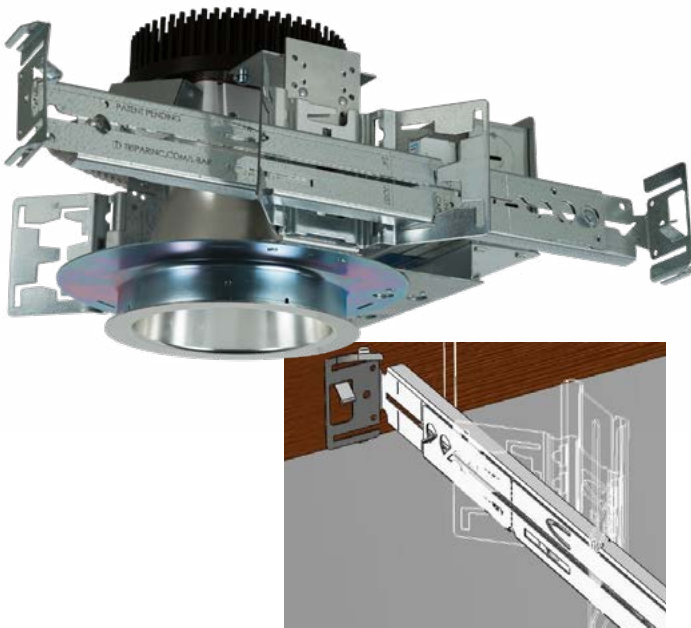


Wheat  
Diffused "EWT"  
Soft Specular "SWT"

Our standard reflector finish is soft specular clear Alzak (SCL) with a polished self-flange (PF). Additional hues are noted to left. Several of these are offered in both a soft specular and a diffused/matte finish. For colors not shown, contact our sales department for advice on custom anodized finishes.

Specified suffix of desired finish.  
Example: 4VLEDSCLPF  
For white painted flange omit PF.

## Standard Hanger Bars



Interlocking L-Bar hanger bars are now standard with all recessed Coventry Architectural lighting fixtures.

Installer friendly features include:

- L-Bars are fabricated from identical L-shaped cross sections that form a sturdy 1/2" by 1-1/2" C-channel profile for superior rigidity.
- Pre-marked with spacing locations for 24" T-bar; 16" and 24" joist ceilings (wood and metal).
- Extension locks with an easy-to-use integral twist tab. No separate fastener.
- Interlocking and expandable to 24". Can be increased to 36" or 48" with the use of one additional bars.
- Allows for offset mounting.
- Integral and barbed nail spike for wood joist ceilings.
- Fits into the C-channel notches on our butterfly mounting bracket.

To increase the included L-Bar set to a 36" length, order two model #015-954 and use one per side. To increase to a 48" length, order one #LBAR which is a complete set of four bars and use two per side.