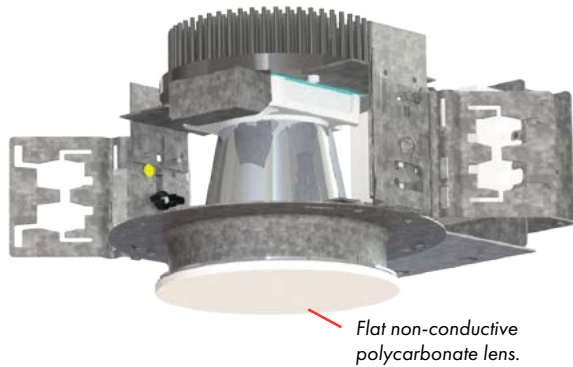
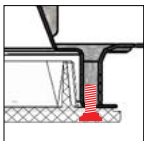


# SERIES 4VLFL2XWL Lensed

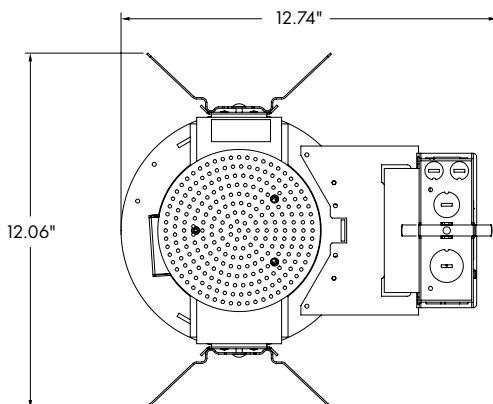
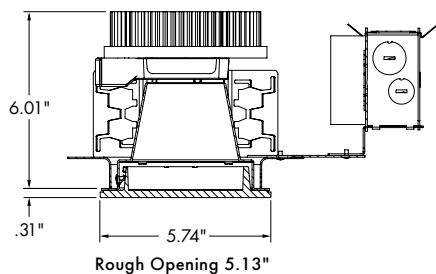
4" Round Downlight  
405-2670 Lumens



Flat non-conductive polycarbonate lens.



Optional tamperproof (TP) hardware prevents unauthorized access.



## APPLICATION

Small-aperture medium-distribution downlight is suitable for commercial, retail and institutional applications that require an energy saving, long life LED lamp source, high lumen output, excellent color rendering characteristics and lensed wet location reflector.

## FEATURES AND BENEFITS

- Reflector redirects spill light from the engine, eliminates high angle glare, and features a 45° cut-off to source and source image.
- A 5/8" overlap flange is standard.
- Non-conductive frosted lens is molded of polycarbonate and attaches to reflector with unique self-bayonetting design. This eliminates any visible hardware. Lens is suitable for wet locations. Optional tamperproof feature (TP) prevents unauthorized access to fixture.
- Heavy-gauge galvanized steel housing provides a secure mounting platform for the electrical components and protects the optical assembly.
- Universal mounting brackets adjust vertically and accepts L-BAR interlocking, expandable C-channel hanger bars which are supplied standard. L-BARS are suitable for T-bar, wood joist and metal joist ceiling styles.
- Heavy-gauge galvanized junction box pre-wired with grounding pigtail. Easy access covers. Multiple conduit knockouts listed for through branch circuit wiring.
- Engineered heat sink provides passive cooling for optimum heat management of the LED engine.

## TECHNICAL DATA

- Standard 120 or 277 VAC, 50-60 Hz. Optional 347V (E3).
- 0-10V, 1% dimming. See third page for other options available.
- CRI = 80. Available in 90 CRI.
- Expected lamp life to be 50,000 hours with 70% lumen maintenance when ambient temperatures do not exceed 45°C. Lower ambient temperatures yield longer lamp life.



5 Year  
Warranty

**HOW TO ORDER**

**Catalog #:**

Example: 4LVFL2XWL80035KE1DA

Fixture Series	Delivered Lumens	Color Temp.	Input Voltage	Dimming	Options
4VFL2XWL	800 = 405L, 7W 1100 = 579L, 10W 1500 = 774L, 14W 2000 = 1058L, 20W 3000 = 1622L, 29W 4000 = 2162L, 40W 5000 = 2670L, 50W C9 = 90 CRI	5K = 5000K <sup>1</sup> 4K = 4000K 35K = 3500K 3K = 3000K 27K = 2700K <sup>2</sup>	120/277V When Using DA, DB Dimming <sup>3</sup>  E1 = 120 Volt <sup>3</sup> E2 = 277 Volt <sup>3</sup> E3 = 347 Volt <sup>4</sup>	DA, DB Titanium 1% 0-10V (linear) standard  More Options On Next Page	EM = Emergency Battery Pack w/ remotely located Test Switch <sup>4</sup> , not suitable for wet location

Example: 4VLEDSCLPF

Trim	Trim Finish w/polished flange
4VLEDWL	– Non-Conductive Lensed Reflector for Wet Location
	SCLPF – Soft Specular Clear TP – Optional Tamperproof <sup>5</sup>
For white painted flange, drop "PF" from Catalog #. For other finishes, consult last page.	

<sup>1</sup> 5000K only available in 80 CRI

<sup>2</sup> 2700K only available in 90 CRI (C9).

<sup>3</sup> Input voltage (E1, E2) not required to be specified with standard dimming (DA, DB)

<sup>4</sup> DMX and 347V input (E3) options are not compatible with emergency battery options

<sup>5</sup> Tamperproof option negates non-conductive description

Fixture:	Type:
Project:	

Manufactured and tested to UL#1598/8750 and CSA standards.  
 All Pathway® products meet or exceed requirements as established by the  
 National Electrical Code. Specifications subject to change without notice.

**DIMMING OPTIONS**

Specify option by suffix (shown in bold-face type)

Our White Paper regarding Linear vs. Logarithmic Operating Characteristics is available in our 'Downloads' section of our website, or you may request one by emailing [Sales@PathwayLighting.com](mailto:Sales@PathwayLighting.com)

<p><b>0-10V Dimming Options</b></p> <p>DA = Xitanium 1% 0-10V (linear)<sup>1</sup>                  DB = Xitanium 1% 0-10V (logarithmic)<sup>1</sup>                  DC = EldoLED 0-10V 0% (logarithmic)                  DD = EldoLED 0-10V 1% (logarithmic)                  DE = EldoLED 0-10V 0% (linear)                  DF = EldoLED 0-10V 1% (linear)                  DS = Sage 0-10V 1% (linear) 347V only                  DT = 0-10V 1% (linear) dim to of<sup>2</sup></p>	<p><b>Lutron Dimming Options</b></p> <p>Max Lumen = 4000 at 80 CRI, or                  Max Lumen = 3000 at 90 CRI</p> <p>DG = Lutron Eco 1% (linear)                  DJ = Lutron 2 wire 1% (linear)</p>	<p><b>DALI Dimming Options</b></p> <p>DK = EldoLED DALI 0% (logarithmic)<sup>2</sup>                  DL = EldoLED DALI 1% (logarithmic)<sup>2</sup></p>	<p><b>Forward/Reverse Phase Options</b></p> <p>DM = 120V 2-wire forward/reverse phase 1% (linear)</p>
<p><b>DMX<sup>3</sup> Dimming Options (interfaced through 0-10V driver)</b></p> <p>XA = DMX Xitanium 1% (linear)<sup>3</sup>                  XB = DMX Xitanium 1% (logarithmic)<sup>3</sup>                  XC = DMX EldoLED 0% (logarithmic)<sup>3</sup>                  XD = DMX EldoLED 1% (logarithmic)<sup>3</sup>                  XE = DMX EldoLED 0% (linear)<sup>3</sup>                  XF = DMX EldoLED 1% (linear)<sup>3</sup></p>	<p><b>RDM DMX</b></p> <p>Max Lumen = 4000 at 80 CRI, or                  Max Lumen = 3000 at 90 CRI</p> <p>XG = DMX EldoLED 0% (logarithmic)                  XH = DMX EldoLED 0% (linear)</p>		

<sup>1</sup> Xitanium driver (DA, DB) is the standard dimming option and does not require that 120V input (E1) or 277V input (E2) to be specified.

<sup>2</sup> Max lumen = 5000 at 80 CRI, or Max lumen = 4000 at 90 CRI

<sup>3</sup> DMX and 347V input (E3) options are not compatible with emergency battery options.

**DELIVERED LUMENS DATA**

**Delivered Lumen Data - 80 CRI (3500K Color Temperature) - Open Trim**

FIXTURE	TRIM	LENS	RATED LUMENS	WATTAGE	DELIVERED LUMENS	BEAM DISTRIBUTION	LPW
4VFL2XWL80035KDA, DB	4VLEDWLSCLPF	POLYCARBONATE SHOWER	800	7	405	86°	57.9
4VFL2XWL110035KDA, DB	4VLEDWLSCLPF	POLYCARBONATE SHOWER	1100	10	579	86°	57.9
4VFL2XWL150035KDA, DB	4VLEDWLSCLPF	POLYCARBONATE SHOWER	1500	14	774	86°	55.3
4VFL2XWL200035KDA, DB	4VLEDWLSCLPF	POLYCARBONATE SHOWER	2000	20	1058	86°	52.9
4VFL2XWL300035KDA, DB	4VLEDWLSCLPF	POLYCARBONATE SHOWER	3000	29	1622	86°	55.9
4VFL2XWL400035KDA, DB	4VLEDWLSCLPF	POLYCARBONATE SHOWER	4000	40	2162	86°	54.1
4VFL2XWL500035KDA, DB	4VLEDWLSCLPF	POLYCARBONATE SHOWER	5000	50	2670	86°	53.4

**Delivered Lumen Data - 90 CRI (3500K Color Temperature) - Open Trim**

FIXTURE	TRIM	LENS	RATED LUMENS	WATTAGE	DELIVERED LUMENS	BEAM DISTRIBUTION	LPW
4VFL2XWL800C935KDA, DB	4VLEDWLSCLPF	POLYCARBONATE SHOWER	800	9	433	86°	48.2
4VFL2XWL1100C935KDA, DB	4VLEDWLSCLPF	POLYCARBONATE SHOWER	1100	12	579	86°	48.3
4VFL2XWL1500C935KDA, DB	4VLEDWLSCLPF	POLYCARBONATE SHOWER	1500	17	770	86°	45.3
4VFL2XWL2000C935KDA, DB	4VLEDWLSCLPF	POLYCARBONATE SHOWER	2000	24	1043	86°	43.5
4VFL2XWL3000C935KDA, DB	4VLEDWLSCLPF	POLYCARBONATE SHOWER	3000	36	1763	86°	49.0
4VFL2XWL4000C935KDA, DB	4VLEDWLSCLPF	POLYCARBONATE SHOWER	4000	48	2177	86°	45.4
4VFL2XWL5000C935KDA, DB	4VLEDWLSCLPF	POLYCARBONATE SHOWER	5000	62	2683	86°	43.3

Above Values reflect 3500K color temperatures and DA or DB Dimming. Add 2 Watts to power for other dimming options.

Scaling factors for other color temperatures: 3000K = 0.97 ; 4000K = 1.03 ; 5000K = 0.98

## Available Reflector Finishes



Clear  
Soft Specular "SCL"



Pewter  
Diffused "EPW"  
Soft Specular "SPW"



Haze  
Diffused "HAZ"



Straw  
Diffused "EST"  
Soft Specular "SST"



Bronze  
Diffused "EBZ"  
Soft Specular "SBZ"

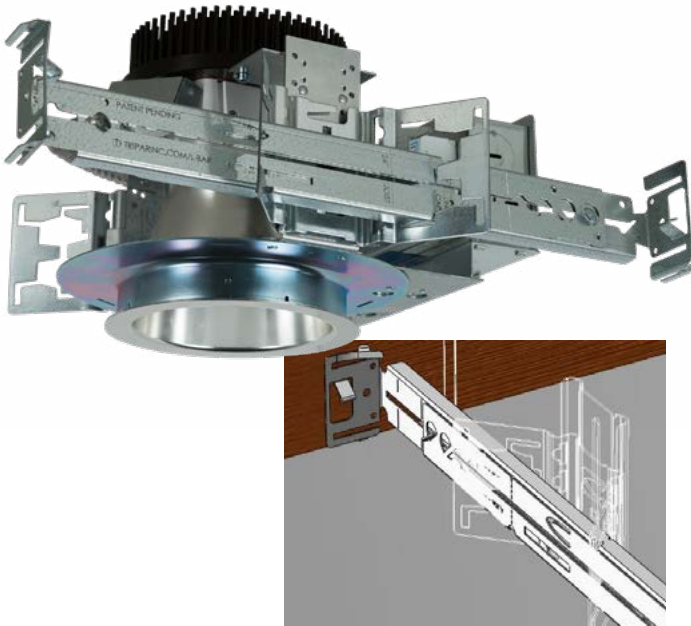


Wheat  
Diffused "EWT"  
Soft Specular "SWT"

Our standard reflector finish is soft specular clear Alzak (SCL) with a polished self-flange (PF). Additional hues are noted to left. Several of these are offered in both a soft specular and a diffused/matte finish. For colors not shown, contact our sales department for advice on custom anodized finishes.

Specified suffix of desired finish.  
Example: 4VLEDSCLPF  
For white painted flange omit PF.

## Standard Hanger Bars



Interlocking L-Bar hanger bars are now standard with all recessed Coventry Architectural lighting fixtures.

Installer friendly features include:

- L-Bars are fabricated from identical L-shaped cross sections that form a sturdy 1/2" by 1-1/2" C-channel profile for superior rigidity.
- Pre-marked with spacing locations for 24" T-bar; 16" and 24" joist ceilings (wood and metal).
- Extension locks with an easy-to-use integral twist tab. No separate fastener.
- Interlocking and expandable to 24". Can be increased to 36" or 48" with the use of one additional bars.
- Allows for offset mounting.
- Integral and barbed nail spike for wood joist ceilings.
- Fits into the C-channel notches on our butterfly mounting bracket.