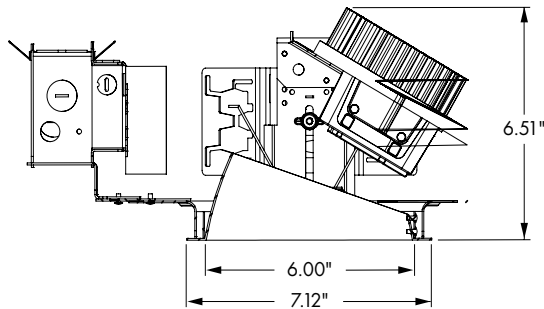


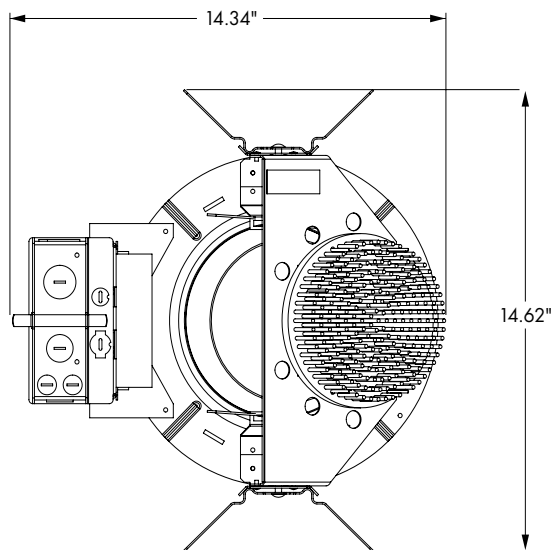
SERIES 6VLFL2XLW

4" Round Lensed Wall Wash

538-3462 Lumens



Rough Opening 6.75"



APPLICATION

Small-aperture lensed wall wash downlight is suitable for commercial, retail and institutional applications that require an energy saving, long life LED lamp source, high lumen output and excellent color rendering characteristics..

FEATURES AND BENEFITS

- Reflector optics feature an angled linear spread lens that delivers uniform illumination to vertical surfaces.
- A 5/8" overlap flange is standard.
- Heavy-gauge galvanized steel housing provides a secure mounting platform for the electrical components and protects the optical assembly.
- Universal mounting brackets adjust vertically and accepts L-BAR interlocking, expandable C-channel hanger bars which are supplied standard. L-BARS are suitable for T-bar, wood joist and metal joist ceiling styles.
- Heavy-gauge galvanized junction box pre-wired with grounding pigtail. Easy access covers. Multiple conduit knockouts listed for through branch circuit wiring.
- Engineered heat sink provides passive cooling for optimum heat management of the LED engine.

TECHNICAL DATA

- Standard 120 or 277 VAC, 50-60 Hz. Optional 347V (E3).
- 0-10V, 1% dimming. See third page for other options available.
- CRI = 80. Available in 90 CRI.
- Expected lamp life to be 50,000 hours with 70% lumen maintenance when ambient temperatures do not exceed 45°C. Lower ambient temperatures yield longer lamp life.



5 Year
Warranty

HOW TO ORDER

Catalog #:

Example: 6LVFL2XLW80035KE1DA

Fixture Series	Delivered Lumens	Color Temp.	Input Voltage	Dimming	Options
6LVFL2XLW	800 = 538L, 7W 1100 = 769L, 10W 1500 = 1035L, 14W 2000 = 1364L, 20W 3000 = 2047L, 29W 4000 = 2803L, 40W 5000 = 3462L, 50W C9 = 90 CRI	5K = 5000K ¹ 4K = 4000K 35K = 3500K 3K = 3000K 27K = 2700K ²	120/277V When Using DA, DB Dimming ³ E1 = 120 Volt ³ E2 = 277 Volt ³ E3 = 347 Volt ⁴	DA, DB Titanium 1% 0-10V (linear) standard More Options On Next Page	EM = Emergency Battery Pack w/ remotely located Test Switch ⁴

Example: 6VLEDLW6SCLPF

Trim	Trim Finish w/polished flange
6VLEDLW6	– Wall Wash Reflector with Micro-Linear Acrylic Spread Lens
	SCLPF – Soft Specular Clear HAZPF – Haze
For white painted flange, drop “PF” from Catalog #. For other finishes, consult last page.	

¹ 5000K only available in 80 CRI

² 2700K only available in 90 CRI (C9).

³ Input voltage (E1, E2) not required to be specified with standard dimming (DA, DB)

⁴ DMX and 347V input (E3) options are not compatible with emergency battery options

Fixture:	Type:
Project:	

Manufactured and tested to UL#1598/8750 and CSA standards.
All Pathway® products meet or exceed requirements as established by the
National Electrical Code. Specifications subject to change without notice.

DIMMING OPTIONS

Specify option by suffix (shown in bold-face type)

Our White Paper regarding Linear vs. Logarithmic Operating Characteristics is available in our 'Downloads' section of our website, or you may request one by emailing Sales@PathwayLighting.com

0-10V Dimming Options	Lutron Dimming Options	DALI Dimming Options	Forward/Reverse Phase Options
<p>DA = Xitanium 1% 0-10V (linear)¹ DB = Xitanium 1% 0-10V (logarithmic)¹ DC = EldoLED 0-10V 0% (logarithmic) DD = EldoLED 0-10V 1% (logarithmic) DE = EldoLED 0-10V 0% (linear) DF = EldoLED 0-10V 1% (linear) DS = Sage 0-10V 1% (linear) 347V only DT = 0-10V 1% (linear) dim to of²</p>	<p>Max Lumen = 4000 at 80 CRI, or Max Lumen = 3000 at 90 CRI DG = Lutron Eco 1% (linear) DJ = Lutron 2 wire 1% (linear)</p>	<p>DK = EldoLED DALI 0% (logarithmic)² DL = EldoLED DALI 1% (logarithmic)²</p>	<p>DM = 120V 2-wire forward/reverse phase 1% (linear)</p>
DMX ³ Dimming Options (interfaced through 0-10V driver)	RDM DMX		
<p>XA = DMX Xitanium 1% (linear)³ XB = DMX Xitanium 1% (logarithmic)³ XC = DMX EldoLED 0% (logarithmic)³ XD = DMX EldoLED 1% (logarithmic)³ XE = DMX EldoLED 0% (linear)³ XF = DMX EldoLED 1% (linear)³</p>	<p>Max Lumen = 4000 at 80 CRI, or Max Lumen = 3000 at 90 CRI XG = DMX EldoLED 0% (logarithmic) XH = DMX EldoLED 0% (linear)</p>		

1 Titanium driver (DA, DB) is the standard dimming option and does not require that 120V input (E1) or 277V input (E2) to be specified.

2 Max lumen = 5000 at 80 CRI, or Max lumen = 4000 at 90 CRI

3 DMX and 347V input (E3) options are not compatible with emergency battery options.

DELIVERED LUMENS DATA

Delivered Lumen Data - 80 CRI (3500K Color Temperature) - Open Trim

FIXTURE	TRIM	LENS	RATED LUMENS	WATTAGE	DELIVERED LUMENS	BEAM DISTRIBUTION	LPW
6VFL2XLW80035KDA,DB	6VLEDLW6SCLPF	MICRO LINEAR	800	7	538	74° vert. X 69° horiz.	76.9
6VFL2XLW110035KDA,DB	6VLEDLW6SCLPF	MICRO LINEAR	1100	10	769	74° vert. X 69° horiz.	76.9
6VFL2XLW150035KDA,DB	6VLEDLW6SCLPF	MICRO LINEAR	1500	14	1035	74° vert. X 69° horiz.	73.9
6VFL2XLW200035KDA,DB	6VLEDLW6SCLPF	MICRO LINEAR	2000	20	1364	74° vert. X 69° horiz.	68.2
6VFL2XLW300035KDA,DB	6VLEDLW6SCLPF	MICRO LINEAR	3000	29	2047	74° vert. X 69° horiz.	70.6
6VFL2XLW400035KDA,DB	6VLEDLW6SCLPF	MICRO LINEAR	4000	40	2803	74° vert. X 69° horiz.	70.1
6VFL2XLW500035KDA,DB	6VLEDLW6SCLPF	MICRO LINEAR	5000	50	3462	74° vert. X 69° horiz.	69.2

Delivered Lumen Data - 90 CRI (3500K Color Temperature) - Open Trim

FIXTURE	TRIM	LENS	RATED LUMENS	WATTAGE	DELIVERED LUMENS	BEAM DISTRIBUTION	LPW
6VFL2XLW800C935KDA,DB	6VLEDLW6SCLPF	MICRO LINEAR	800	9	576	74° vert. X 69° horiz.	64.0
6VFL2XLW1100C935KDA,DB	6VLEDLW6SCLPF	MICRO LINEAR	1100	12	769	74° vert. X 69° horiz.	64.1
6VFL2XLW1500C935KDA,DB	6VLEDLW6SCLPF	MICRO LINEAR	1500	17	1030	74° vert. X 69° horiz.	60.6
6VFL2XLW2000C935KDA,DB	6VLEDLW6SCLPF	MICRO LINEAR	2000	24	1345	74° vert. X 69° horiz.	56.0
6VFL2XLW3000C935KDA,DB	6VLEDLW6SCLPF	MICRO LINEAR	3000	36	2225	74° vert. X 69° horiz.	61.8
6VFL2XLW4000C935KDA,DB	6VLEDLW6SCLPF	MICRO LINEAR	4000	48	2823	74° vert. X 69° horiz.	58.8
6VFL2XLW5000C935KDA,DB	6VLEDLW6SCLPF	MICRO LINEAR	5000	62	3479	74° vert. X 69° horiz.	56.1

Above Values reflect 3500K color temperatures and DA or DB Dimming. Add 2 Watts to power for other dimming options.

Scaling factors for other color temperatures: 3000K = 0.97 ; 4000K = 1.03 ; 5000K = 0.98

Available Reflector Finishes



Clear
Soft Specular "SCL"



Pewter
Diffused "EPW"
Soft Specular "SPW"



Haze
Diffused "HAZ"



Straw
Diffused "EST"
Soft Specular "SST"



Bronze
Diffused "EBZ"
Soft Specular "SBZ"

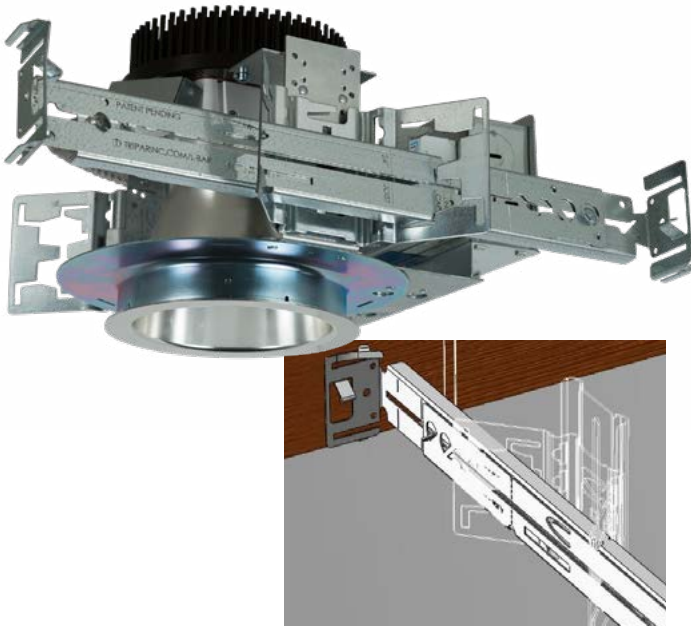


Wheat
Diffused "EWT"
Soft Specular "SWT"

Our standard reflector finish is soft specular clear Alzak (SCL) with a polished self-flange (PF). Additional hues are noted to left. Several of these are offered in both a soft specular and a diffused/matte finish. For colors not shown, contact our sales department for advice on custom anodized finishes.

Specified suffix of desired finish.
Example: 4VLEDSCLPF
For white painted flange omit PF.

Standard Hanger Bars



Interlocking L-Bar hanger bars are now standard with all recessed Coventry Architectural lighting fixtures.

Installer friendly features include:

- L-Bars are fabricated from identical L-shaped cross sections that form a sturdy 1/2" by 1-1/2" C-channel profile for superior rigidity.
- Pre-marked with spacing locations for 24" T-bar; 16" and 24" joist ceilings (wood and metal).
- Extension locks with an easy-to-use integral twist tab. No separate fastener.
- Interlocking and expandable to 24". Can be increased to 36" or 48" with the use of one additional bars.
- Allows for offset mounting.
- Integral and barbed nail spike for wood joist ceilings.
- Fits into the C-channel notches on our butterfly mounting bracket.