

SERIES 6VLFL2X

6" Round Downlight

716-4692 Lumens



Available with suspended decorative soda-lime glass disk.
Optional colors available upon request.

APPLICATION

Medium-aperture medium-distribution downlight is suitable for commercial, retail and institutional applications that require an energy saving, long life LED lamp source, high lumen output and excellent color rendering characteristics.

FEATURES AND BENEFITS

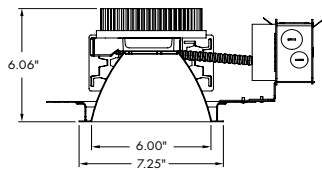
- Reflector redirects spill light from the engine, eliminates high angle glare, and features a 45° cut-off to source and source image.
- A 5/8" overlap flange is standard.
- Heavy-gauge galvanized steel housing provides a secure mounting platform for the electrical components and protects the optical assembly.
- Universal mounting brackets adjust vertically and accepts L-BAR interlocking, expandable C-channel hanger bars which are supplied standard. L-BARS are suitable for T-bar, wood joist and metal joist ceiling styles.
- Heavy-gauge galvanized junction box pre-wired with grounding pigtail. Easy access covers. Multiple conduit knockouts listed for through branch circuit wiring.
- Engineered heat sink provides passive cooling for optimum heat management of the LED engine.

TECHNICAL DATA

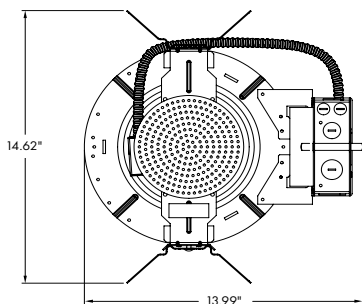
- Standard 120 or 277 VAC, 50-60 Hz. Optional 347V (E3).
- 0-10V, 1% dimming. See third page for other options available.
- CRI = 80. Available in 90 CRI.
- Expected lamp life to be 50,000 hours with 70% lumen maintenance when ambient temperatures do not exceed 45°C. Lower ambient temperatures yield longer lamp life.



5 Year
Warranty



Rough Opening 6.75"



HOW TO ORDER

Catalog #:

Example: 6LVFL2X80035KE1DA

Fixture Series	Delivered Lumens	Color Temp.	Input Voltage	Dimming	Options
6VFL2X	800 = 716L - 774L, 7W 1100 = 1023L - 1033L, 10W 1500 = 1366L - 1392L, 14W 2000 = 1801L - 1869L, 20W 3000 = 2699L - 3102L, 29W 4000 = 3590L - 3779L, 40W 5000 = 4434L - 4692L, 50W C9 = 90 CRI	5K = 5000K ¹ 4K = 4000K 35K = 3500K 3K = 3000K 27K = 2700K ²	120/277V When Using DA, DB Dimming ³ E1 = 120 Volt ³ E2 = 277 Volt ³ E3 = 347 Volt ⁴	DA = 0-10V 1% (linear) DB = 0-10V 1% (logarithmic) <i>More Options On Next Page</i>	EM = Emergency Battery Pack w/ remotely located Test Switch ⁴ IEM = EM Battery Pack w/ Integral Test Switch. (Not Available for Wet Location or Lensed Fixtures) ⁴ X = Provision for Suspended Glass Lens (ICE6)

Example: 6VLEDMDSCLPF

Trim	Trim Finish w/polished flange
6VLEDSP	– Spot 42° Downlight Reflector
6VLEDMD	– Medium 55° Downlight Reflector
	SCLPF – Soft Specular Clear
	HAZPF – Haze
	MWH – Matte White
	ICE6 – Decorative Soda-Lime Glass Accessory
For white painted flange, drop "PF" from Catalog #. For other finishes, consult last page.	

¹ 5000K only available in 80 CRI

² 2700K only available in 90 CRI (C9).

³ Input voltage (E1, E2) not required to be specified with standard dimming (DA, DB)

⁴ DMX and 347V input (E3) options are not compatible with emergency battery options

Fixture:	Type:
Project:	

Manufactured and tested to UL#1598/8750 and CSA standards.
All Pathway® products meet or exceed requirements as established by the
National Electrical Code. Specifications subject to change without notice.

DIMMING OPTIONS

Specify option by suffix (shown in bold-face type)

Our White Paper regarding Linear vs. Logarithmic Operating Characteristics is available in our 'Downloads' section of our website, or you may request one by emailing Sales@PathwayLighting.com

0-10V Dimming Options	Lutron Dimming Options	DALI Dimming Options	Forward/Reverse Phase Options
<p>DA = Xitanium 1% 0-10V (linear)¹ DB = Xitanium 1% 0-10V (logarithmic)¹ DC = EldoLED 0-10V 0% (logarithmic) DD = EldoLED 0-10V 1% (logarithmic) DE = EldoLED 0-10V 0% (linear) DF = EldoLED 0-10V 1% (linear) DS = Sage 0-10V 1% (linear) 347V only DT = 0-10V 1% (linear) dim to of²</p>	<p>Max Lumen = 4000 at 80 CRI, or Max Lumen = 3000 at 90 CRI DG = Lutron Eco 1% (linear) DJ = Lutron 2 wire 1% (linear)</p>	<p>DK = EldoLED DALI 0% (logarithmic)² DL = EldoLED DALI 1% (logarithmic)²</p>	<p>DM = 120V 2-wire forward/reverse phase 1% (linear)</p>
DMX [^] Dimming Options (interfaced through 0-10V driver)	RDM DMX		
<p>XA = DMX Xitanium 1% (linear)³ XB = DMX Xitanium 1% (logarithmic)³ XC = DMX EldoLED 0% (logarithmic)³ XD = DMX EldoLED 1% (logarithmic)³ XE = DMX EldoLED 0% (linear)³ XF = DMX EldoLED 1% (linear)³</p>	<p>Max Lumen = 4000 at 80 CRI, or Max Lumen = 3000 at 90 CRI XG = DMX EldoLED 0% (logarithmic) XH = DMX EldoLED 0% (linear)</p>		

¹ Xitanium driver (DA, DB) is the standard dimming option and does not require that 120V input (E1) or 277V input (E2) to be specified.

² Max lumen = 5000 at 80 CRI, or Max lumen = 4000 at 90 CRI

³ DMX and 347V input (E3) options are not compatible with emergency battery options.

DELIVERED LUMENS DATA

Delivered Lumen Data - 80 CRI (3500K Color Temperature) - Open Trim

FIXTURE	TRIM	WATTAGE	DELIVERED LUMENS	BEAM DISTRIBUTION	LPW
6VFL2X80035K	6VLEDSPSCLPF	7	723	42°	103.3
6VFL2X110035K	6VLEDSPSCLPF	10	1033	42°	103.3
6VFL2X150035K	6VLEDSPSCLPF	14	1373	42°	98.1
6VFL2X200035K	6VLEDSPSCLPF	20	1869	42°	93.5
6VFL2X300035K	6VLEDSPSCLPF	29	2699	42°	93.1
6VFL2X400035K	6VLEDSPSCLPF	40	3590	42°	89.8
6VFL2X500035K	6VLEDSPSCLPF	50	4434	42°	88.7
6VFL2X80035K	6VLEDMDSCCLPF	7	716	55°	102.3
6VFL2X110035K	6VLEDMDSCCLPF	10	1023	55°	102.3
6VFL2X150035K	6VLEDMDSCCLPF	14	1392	55°	99.4
6VFL2X200035K	6VLEDMDSCCLPF	20	1827	55°	91.4
6VFL2X300035K	6VLEDMDSCCLPF	29	2854	55°	98.4
6VFL2X400035K	6VLEDMDSCCLPF	40	3799	55°	95.0
6VFL2X500035K	6VLEDMDSCCLPF	50	4692	55°	93.8

Above Values reflect 3500K color temperatures and DA or DB Dimming. Add 2 Watts to power for other dimming options.
Scaling factors for other color temperatures: 3000K = 0.97 ; 4000K = 1.03 ; 5000K = 0.98

Delivered Lumen Data - 90 CRI (3500K Color Temperature) - Open Trim

FIXTURE	TRIM	WATTAGE	DELIVERED LUMENS	BEAM DISTRIBUTION	LPW
6VFL2X80035K	6VLEDSPSCLPF	9	774	42°	86.0
6VFL2X110035K	6VLEDSPSCLPF	12	1033	42°	86.1
6VFL2X150035K	6VLEDSPSCLPF	17	1366	42°	80.4
6VFL2X200035K	6VLEDSPSCLPF	24	1843	42°	76.8
6VFL2X300035K	6VLEDSPSCLPF	36	2934	42°	81.5
6VFL2X400035K	6VLEDSPSCLPF	48	3615	42°	75.3
6VFL2X500035K	6VLEDSPSCLPF	62	4456	42°	71.9
6VFL2X80035K	6VLEDMDSCCLPF	9	766	55°	85.1
6VFL2X110035K	6VLEDMDSCCLPF	12	1023	55°	85.3
6VFL2X150035K	6VLEDMDSCCLPF	17	1385	55°	81.5
6VFL2X200035K	6VLEDMDSCCLPF	24	1801	55°	75.1
6VFL2X300035K	6VLEDMDSCCLPF	36	3102	55°	86.2
6VFL2X400035K	6VLEDMDSCCLPF	48	3615	55°	75.3
6VFL2X500035K	6VLEDMDSCCLPF	62	4456	55°	71.9

Above Values reflect 3500K color temperatures and DA or DB Dimming. Add 2 Watts to power for other dimming options.
Scaling factors for other color temperatures: 3000K = 0.97 ; 4000K = 1.03 ; 5000K = 0.98

Available Reflector Finishes



Clear
Soft Specular "SCL"



Pewter
Diffused "EPW"
Soft Specular "SPW"



Haze
Diffused "HAZ"



Straw
Diffused "EST"
Soft Specular "SST"



Bronze
Diffused "EBZ"
Soft Specular "SBZ"

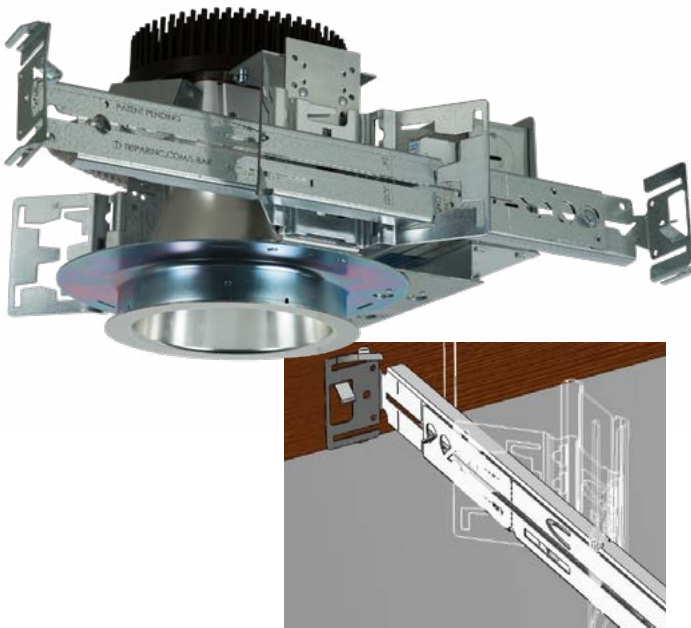


Wheat
Diffused "EWT"
Soft Specular "SWT"

Our standard reflector finish is soft specular clear Alzak (SCL) with a polished self-flange (PF). Additional hues are noted to left. Several of these are offered in both a soft specular and a diffused/matte finish. For colors not shown, contact our sales department for advice on custom anodized finishes.

Specified suffix of desired finish.
Example: 4VLEDSCLPF
For white painted flange omit PF.

Standard Hanger Bars



Interlocking L-Bar hanger bars are now standard with all recessed Coventry Architectural lighting fixtures.

Installer friendly features include:

- L-Bars are fabricated from identical L-shaped cross sections that form a sturdy 1/2" by 1-1/2" C-channel profile for superior rigidity.
- Pre-marked with spacing locations for 24" T-bar; 16" and 24" joist ceilings (wood and metal).
- Extension locks with an easy-to-use integral twist tab. No separate fastener.
- Interlocking and expandable to 24". Can be increased to 36" or 48" with the use of one additional bars.
- Allows for offset mounting.
- Integral and barbed nail spike for wood joist ceilings.
- Fits into the C-channel notches on our butterfly mounting bracket.