

## SERIES 4VLFL2X

4" Round Downlight  
588-4158 Lumens



Available with suspended decorative soda-lime glass disk.  
Optional colors available upon request.

### APPLICATION

Small-aperture medium-distribution downlight is suitable for commercial, retail and institutional applications that require an energy saving, long life LED lamp source, high lumen output and excellent color rendering characteristics.

### FEATURES AND BENEFITS

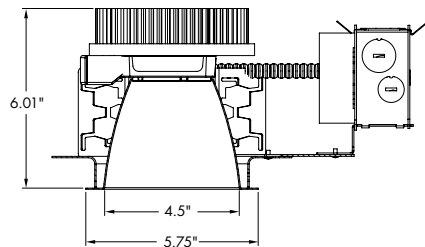
- Reflector redirects spill light from the engine, eliminates high angle glare, and features a 45° cut-off to source and source image.
- A 5/8" overlap flange is standard.
- Heavy-gauge galvanized steel housing provides a secure mounting platform for the electrical components and protects the optical assembly.
- Universal mounting brackets adjust vertically and accepts L-BAR interlocking, expandable C-channel hanger bars which are supplied standard. L-BARS are suitable for T-bar, wood joist and metal joist ceiling styles.
- Heavy-gauge galvanized junction box pre-wired with grounding pigtail. Easy access covers. Multiple conduit knockouts listed for through branch circuit wiring.
- Engineered heat sink provides passive cooling for optimum heat management of the LED engine.

### TECHNICAL DATA

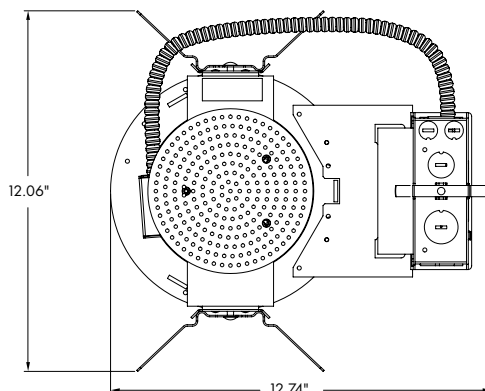
- Standard 120 or 277 VAC, 50-60 Hz. Optional 347V (E3).
- 0-10V, 1% dimming. See third page for other options available.
- CRI = 80. Available in 90 CRI.
- Expected lamp life to be 50,000 hours with 70% lumen maintenance when ambient temperatures do not exceed 45°C. Lower ambient temperatures yield longer lamp life.



5 Year  
Warranty



Rough Opening 5.13"



**HOW TO ORDER**

**Catalog #:**

Example: 4VFL2X80035KE1DA

Fixture Series	Delivered Lumens	Color Temp.	Input Voltage	Dimming	Options
4VFL2X	800 = 688L, 7W 1100 = 983L, 10W 1500 = 1315L, 14W 2000 = 1684L, 20W 3000 = 2531L, 29W 4000 = 3368L, 40W 5000 = 4159L, 50W C9 = 90 CRI	5K = 5000K <sup>1</sup> 4K = 4000K 35K = 3500K 3K = 3000K 27K = 2700K <sup>2</sup>	120/277V When Using DA, DB Dimming <sup>3</sup>  E1 = 120 Volt <sup>3</sup> E2 = 277 Volt <sup>3</sup> E3 = 347 Volt <sup>4</sup>	DA = 0-10V 1% (linear) DB = 0-10V 1% (logarithmic)  More Options On Next Page	EM = Emergency Battery Pack w/ remotely located Test Switch <sup>4</sup> IEM = EM Battery Pack w/ Integral Test Switch. (Not Available for Lensed Fixtures) <sup>4</sup> X = Provision for Suspended Glass Lens (ICE4)

Example: 4VLEDSCLPF

Trim	Trim Finish w/polished flange
4VLED	– 62° Downlight Reflector  SCLPF – Soft Specular Clear MWH – Matte White Painted Finish ICE4 – Decorative Glass (Soda-Lime) Accessory
For white painted flange, drop "PF" from Catalog #. For other finishes, consult last page.	

<sup>1</sup> 5000K only available in 80 CRI

<sup>2</sup> 2700K only available in 90 CRI (C9).

<sup>3</sup> Input voltage (E1, E2) not required to be specified with standard dimming (DA, DB)

<sup>4</sup> DMX and 347V input (E3) options are not compatible with emergency battery options

Fixture:	Type:
Project:	

Manufactured and tested to UL#1598/8750 and CSA standards.  
 All Pathway® products meet or exceed requirements as established by the  
 National Electrical Code. Specifications subject to change without notice.

**DIMMING OPTIONS**

Specify option by suffix (shown in bold-face type)

Our White Paper regarding Linear vs. Logarithmic Operating Characteristics is available in our 'Downloads' section of our website, or you may request one by emailing [Sales@PathwayLighting.com](mailto:Sales@PathwayLighting.com)

0-10V Dimming Options	Lutron Dimming Options	DALI Dimming Options	Forward/Reverse Phase Options
<b>DA</b> = Xitanium 1% 0-10V (linear) <sup>1</sup> <b>DB</b> = Xitanium 1% 0-10V (logarithmic) <sup>1</sup> <b>DC</b> = EldoLED 0-10V 0% (logarithmic) <b>DE</b> = EldoLED 0-10V 1% (logarithmic) <b>DD</b> = EldoLED 0-10V 0% (linear) <b>DF</b> = EldoLED 0-10V 1% (linear) <b>DS</b> = Sage 0-10V 1% (linear) 347V only <b>DT</b> = 0-10V 1% (linear) dim to of <sup>2</sup>	<b>Max Lumen = 4000 at 80 CRI, or                      Max Lumen = 3000 at 90 CRI</b>  <b>DG</b> = Lutron Eco 1% (linear) <b>DJ</b> = Lutron 2 wire 1% (linear)	<b>DK</b> = EldoLED DALI 0% (logarithmic) <sup>2</sup> <b>DL</b> = EldoLED DALI 1% (logarithmic) <sup>2</sup>	<b>DM</b> = 120V 2-wire forward/reverse phase 1% (linear)
DMX <sup>3</sup> Dimming Options (interfaced through 0-10V driver)	RDM DMX		
<b>XA</b> = DMX Xitanium 1% (linear) <sup>3</sup> <b>XB</b> = DMX Xitanium 1% (logarithmic) <sup>3</sup> <b>XC</b> = DMX EldoLED 0% (logarithmic) <sup>3</sup> <b>XD</b> = DMX EldoLED 1% (logarithmic) <sup>3</sup> <b>XE</b> = DMX EldoLED 0% (linear) <sup>3</sup> <b>XF</b> = DMX EldoLED 1% (linear) <sup>3</sup>	<b>Max Lumen = 4000 at 80 CRI, or                      Max Lumen = 3000 at 90 CRI</b>  <b>XG</b> = DMX EldoLED 0% (logarithmic) <b>XH</b> = DMX EldoLED 0% (linear)		

<sup>1</sup> Xitanium driver (DA, DB) is the standard dimming option and does not require that 120V input (E1) or 277V input (E2) to be specified.

<sup>2</sup> Max lumen = 5000 at 80 CRI, or Max lumen = 4000 at 90 CRI

<sup>3</sup> DMX and 347V input (E3) options are not compatible with emergency battery options.

**DELIVERED LUMENS DATA**

**Delivered Lumen Data - 80 CRI (3500K Color Temperature) - Open Trim**

FIXTURE	TRIM	RATED LUMENS	WATTAGE	DELIVERED LUMENS	BEAM DISTRIBUTION	LPW
4VFL2X80035KDA,DB	4VLEDSCLPF	800	7	688	62°	98.3
4VFL2X110035KDA,DB	4VLEDSCLPF	1100	10	983	62°	98.3
4VFL2X150035KDA,DB	4VLEDSCLPF	1500	14	1315	62°	93.9
4VFL2X200035KDA,DB	4VLEDSCLPF	2000	20	1684	62°	84.2
4VFL2X300035KDA,DB	4VLEDSCLPF	3000	29	2531	62°	87.3
4VFL2X400035KDA,DB	4VLEDSCLPF	4000	40	3368	62°	84.2
4VFL2X500035KDA,DB	4VLEDSCLPF	5000	50	4159	62°	83.2

**Delivered Lumen Data - 90 CRI (3500K Color Temperature) - Open Trim**

FIXTURE	TRIM	RATED LUMENS	WATTAGE	DELIVERED LUMENS	BEAM DISTRIBUTION	LPW
4VFL2X800C935KDA,DB	4VLEDSCLPF	800	9	736	62°	81.8
4VFL2X1100C935KDA,DB	4VLEDSCLPF	1100	12	983	62°	81.9
4VFL2X1500C935KDA,DB	4VLEDSCLPF	1500	17	1308	62°	77.0
4VFL2X2000C935KDA,DB	4VLEDSCLPF	2000	24	1660	62°	69.2
4VFL2X3000C935KDA,DB	4VLEDSCLPF	3000	36	2751	62°	76.4
4VFL2X4000C935KDA,DB	4VLEDSCLPF	4000	48	3392	62°	70.7
4VFL2X5000C935KDA,DB	4VLEDSCLPF	5000	62	4180	62°	67.4

Above Values reflect 3500K color temperatures and DA or DB Dimming. Add 2 Watts to power for other dimming options.

Scaling factors for other color temperatures: 3000K = 0.97 ; 4000K = 1.03 ; 5000K = 0.98

## Available Reflector Finishes



Clear  
Soft Specular "SCL"



Pewter  
Diffused "EPW"  
Soft Specular "SPW"



Haze  
Diffused "HAZ"



Straw  
Diffused "EST"  
Soft Specular "SST"



Bronze  
Diffused "EBZ"  
Soft Specular "SBZ"

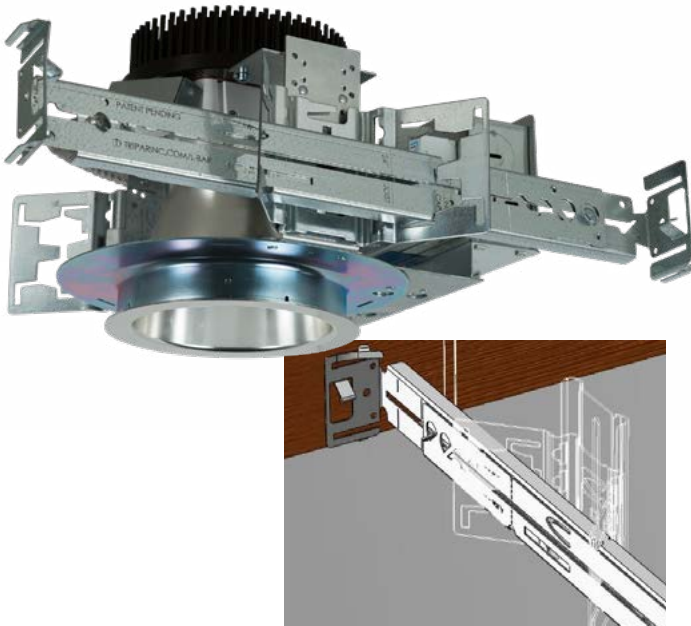


Wheat  
Diffused "EWT"  
Soft Specular "SWT"

Our standard reflector finish is soft specular clear Alzak (SCL) with a polished self-flange (PF). Additional hues are noted to left. Several of these are offered in both a soft specular and a diffused/matte finish. For colors not shown, contact our sales department for advice on custom anodized finishes.

Specified suffix of desired finish.  
Example: 4VLEDSCLPF  
For white painted flange omit PF.

## Standard Hanger Bars



Interlocking L-Bar hanger bars are now standard with all recessed Coventry Architectural lighting fixtures.

Installer friendly features include:

- L-Bars are fabricated from identical L-shaped cross sections that form a sturdy 1/2" by 1-1/2" C-channel profile for superior rigidity.
- Pre-marked with spacing locations for 24" T-bar; 16" and 24" joist ceilings (wood and metal).
- Extension locks with an easy-to-use integral twist tab. No separate fastener.
- Interlocking and expandable to 24". Can be increased to 36" or 48" with the use of one additional bars.
- Allows for offset mounting.
- Integral and barbed nail spike for wood joist ceilings.
- Fits into the C-channel notches on our butterfly mounting bracket.