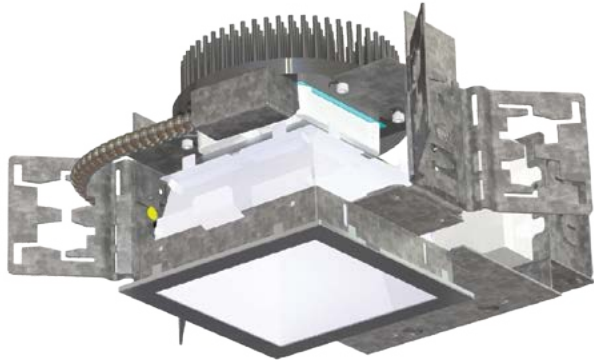


SERIES 4SQLFL2X

4" Square Downlight
588-4158 Lumens



Optional suspended decorative lens (IC4) is standard in soda-lime glass. Optional colors upon request.

APPLICATION

Square-aperture medium-distribution downlight is suitable for commercial, retail and institutional applications that require an energy saving, long life LED lamp source, high lumen output and excellent color rendering characteristics.

FEATURES AND BENEFITS

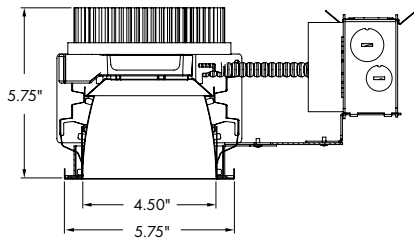
- The parabolic reflector redirects spill light from the engine, eliminates high angle glare, and features a 45° cut-off to source and source image.
- A 5/8" overlap flange is standard.
- Heavy-gauge galvanized steel housing provides a secure mounting platform for the electrical components and protects the optical assembly.
- Universal mounting brackets adjust vertically and accepts L-BAR interlocking, expandable C-channel hanger bars which are supplied standard. L-BARS are suitable for T-bar, wood joist and metal joist ceiling styles.
- Heavy-gauge galvanized junction box pre-wired with grounding pigtail. Easy access covers. Multiple conduit knockouts listed for through branch circuit wiring.
- Engineered heat sink provides passive cooling for optimum heat management of the LED engine.

TECHNICAL DATA

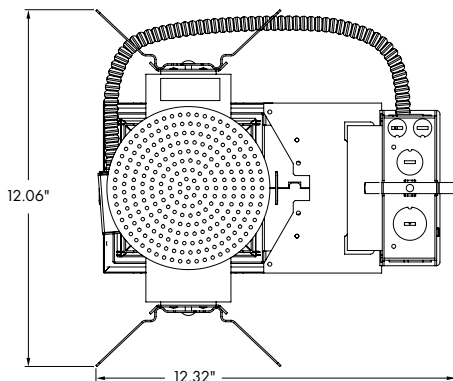
- Standard 120 or 277 VAC, 50-60 Hz. Optional 347V (E3).
- 0-10V, 1% dimming. See third page for other options available.
- CRI = 80. Available in 90 CRI.
- Expected lamp life to be 50,000 hours with 70% lumen maintenance when ambient temperatures do not exceed 45°C. Lower ambient temperatures yield longer lamp life.



5 Year
Warranty



Rough Opening 5.13"



HOW TO ORDER

Catalog #:

Example: 4SQLFL2X80035KE1DA

Fixture Series	Delivered Lumens (Open Reflector)	Color Temp.	Input Voltage	Dimming	Options
4SQLFL2X	800 = 588L - 680L, 7W 1100 = 796L - 971L, 10W 1500 = 1052L - 1277L, 14W 2000 = 1423L - 1711L, 20W 3000 = 2184L - 2896L, 29W 4000 = 2747L - 3373L, 40W 5000 = 3392L - 4158L, 50W C9 = 90 CRI	5K = 5000K ¹ 4K = 4000K 35K = 3500K 3K = 3000K 27K = 2700K ²	120/277V When Using DA, DB Dimming ³ E1 120 Volt ³ E2 277 Volt ³ E3 347 Volt ⁴	DA, DB Titanium 1% 0-10V (linear) standard More Options On Next Page	EM = Emergency Battery Pack w/ remotely located Test Switch ⁴ IEM = EM Battery Pack w/ Integral Test Switch. (Not Available for Lensed Fixtures) ⁴ X = Provision for Suspended Glass Lens (IC4)

Example: 4SQLEDSCLPF

Trim	Trim Finish w/polished flange
4SQLED	– Downlight Reflector
L3	– C73 Prismatic Glass Lens
L5	– Frosted Glass Lens
L6	– Frosted Acrylic Lens Option
L7	– Solite Micro-Prismatic Glass Lens
L8	– Clear Poly Carbonate Lens Option
L9	– Clear Tempered Glass Lens Option
	SCLPF – Soft Specular Clear
	HAZPF – Haze
	IC4 – Suspended Decorative (Soda-Lime) Glass Lens
For white painted flange, drop "PF" from Catalog #. For other finishes, consult last page.	

¹ 5000K only available in 80 CRI

² 2700K only available in 90 CRI (C9).

³ Input voltage (E1, E2) not required to be specified with standard dimming (DA, DB)

⁴ DMX and 347V input (E3) options are not compatible with emergency battery options

Fixture:	Type:
Project:	

Manufactured and tested to UL#1598/8750 and CSA standards.
 All Pathway® products meet or exceed requirements as established by the
 National Electrical Code. Specifications subject to change without notice.

DIMMING OPTIONS

Specify option by suffix (shown in bold-face type)

Our White Paper regarding Linear vs. Logarithmic Operating Characteristics is available in our 'Downloads' section of our website, or you may request one by emailing Sales@PathwayLighting.com

0-10V Dimming Options	Lutron Dimming Options	DALI Dimming Options	Forward/Reverse Phase Options
DA = Xitanium 1% 0-10V (linear) ¹ DB = Xitanium 1% 0-10V (logarithmic) ¹ DC = EldoLED 0-10V 0% (logarithmic) DD = EldoLED 0-10V 1% (logarithmic) DE = EldoLED 0-10V 0% (linear) DF = EldoLED 0-10V 1% (linear) DS = Sage 0-10V 1% (linear) 347V only DT = 0-10V 1% (linear) dim to of ²	Max Lumen = 4000 at 80 CRI, or Max Lumen = 3000 at 90 CRI DG = Lutron Eco 1% (linear) DJ = Lutron 2 wire 1% (linear)	DK = EldoLED DALI 0% (logarithmic) ² DL = EldoLED DALI 1% (logarithmic) ²	DM = 120V 2-wire forward/reverse phase 1% (linear)
DMX ³ Dimming Options (interfaced through 0-10V driver)	RDM DMX		
XA = DMX Xitanium 1% (linear) ³ XB = DMX Xitanium 1% (logarithmic) ³ XC = DMX EldoLED 0% (logarithmic) ³ XD = DMX EldoLED 1% (logarithmic) ³ XE = DMX EldoLED 0% (linear) ³ XF = DMX EldoLED 1% (linear) ³	Max Lumen = 4000 at 80 CRI, or Max Lumen = 3000 at 90 CRI XG = DMX EldoLED 0% (logarithmic) XH = DMX EldoLED 0% (linear)		

¹ Xitanium driver (DA, DB) is the standard dimming option and does not require that 120V input (E1) or 277V input (E2) to be specified.

² Max lumen = 5000 at 80 CRI, or Max lumen = 4000 at 90 CRI

³ DMX and 347V input (E3) options are not compatible with emergency battery options.

DELIVERED LUMENS DATA

Delivered Lumen Data - 80 CRI (3500K Color Temperature) - Open Trim

FIXTURE	TRIM	RATED LUMENS	WATTAGE	DELIVERED LUMENS	BEAM DISTRIBUTION	LPW
4SQLFL2X80035KDA,DB	4SQLEDSCLPF	800	7	680	74°	97.1
4SQLFL2X110035KDA,DB	4SQLEDSCLPF	1100	10	971	74°	97.1
4SQLFL2X150035KDA,DB	4SQLEDSCLPF	1500	14	1283	74°	91.6
4SQLFL2X200035KDA,DB	4SQLEDSCLPF	2000	20	1735	74°	86.8
4SQLFL2X300035KDA,DB	4SQLEDSCLPF	3000	29	2664	74°	91.9
4SQLFL2X400035KDA,DB	4SQLEDSCLPF	4000	40	3350	74°	83.8
4SQLFL2X500035KDA,DB	4SQLEDSCLPF	5000	50	4137	74°	82.7

Delivered Lumen Data - 90 CRI (3500K Color Temperature) - Open Trim

FIXTURE	TRIM	RATED LUMENS	WATTAGE	DELIVERED LUMENS	BEAM DISTRIBUTION	LPW
4SQLFL2X800C935KDA,DB	4SQLEDSCLPF	800	9	728	74°	80.8
4SQLFL2X1100C935KDA,DB	4SQLEDSCLPF	1100	12	971	74°	80.9
4SQLFL2X1500C935KDA,DB	4SQLEDSCLPF	1500	17	1277	74°	75.1
4SQLFL2X2000C935KDA,DB	4SQLEDSCLPF	2000	24	1711	74°	71.3
4SQLFL2X3000C935KDA,DB	4SQLEDSCLPF	3000	36	2896	74°	80.4
4SQLFL2X4000C935KDA,DB	4SQLEDSCLPF	4000	48	3373	74°	70.3
4SQLFL2X5000C935KDA,DB	4SQLEDSCLPF	5000	62	4158	74°	67.1

Above Values reflect 3500K color temperatures and DA or DB Dimming. Add 2 Watts to power for other dimming options.

Scaling factors for other color temperatures: 3000K = 0.97 ; 4000K = 1.03 ; 5000K = 0.98

Delivered Lumen Data - 80 CRI (3500K Color Temperature) - Lensed Options

FIXTURE	TRIM	LENS TYPE	RATED LUMENS	WATTAGE	DELIVERED LUMENS	BEAM DISTRIBUTION	LPW
4SQLFL2X80035KDA,DB	4SQLEDL3SCLPF	C73 Prismatic Glass	800	7	616	75°	88.0
4SQLFL2X110035KDA,DB	4SQLEDL3SCLPF	C73 Prismatic Glass	1100	10	880	75°	88.0
4SQLFL2X150035KDA,DB	4SQLEDL3SCLPF	C73 Prismatic Glass	1500	14	1162	75°	83.0
4SQLFL2X200035KDA,DB	4SQLEDL3SCLPF	C73 Prismatic Glass	2000	20	1572	75°	78.6
4SQLFL2X300035KDA,DB	4SQLEDL3SCLPF	C73 Prismatic Glass	3000	29	2414	75°	83.2
4SQLFL2X400035KDA,DB	4SQLEDL3SCLPF	C73 Prismatic Glass	4000	40	3035	75°	75.9
SQLFL2X500035KDA,DB	4SQLEDL3SCLPF	C73 Prismatic Glass	5000	50	3748	75°	75.0
4SQLFL2X80035KDA,DB	4SQLEDL5SCLPF	FROSTED GLASS	800	7	558	78°	79.7
4SQLFL2X110035KDA,DB	4SQLEDL5SCLPF	FROSTED GLASS	1100	10	796	78°	79.6
4SQLFL2X150035KDA,DB	4SQLEDL5SCLPF	FROSTED GLASS	1500	14	1052	78°	75.1
4SQLFL2X200035KDA,DB	4SQLEDL5SCLPF	FROSTED GLASS	2000	20	1423	78°	71.1
4SQLFL2X300035KDA,DB	4SQLEDL5SCLPF	FROSTED GLASS	3000	29	2184	78°	75.3
4SQLFL2X400035KDA,DB	4SQLEDL5SCLPF	FROSTED GLASS	4000	40	2747	78°	68.7
4SQLFL2X500035KDA,DB	4SQLEDL5SCLPF	FROSTED GLASS	5000	50	3392	78°	67.8
4SQLFL2X80035KDA,DB	4SQLEDL6SCLPF	FROSTED ACRYLIC	800	7	585	78°	83.5
4SQLFL2X110035KDA,DB	4SQLEDL6SCLPF	FROSTED ACRYLIC	1100	10	835	78°	83.5
4SQLFL2X150035KDA,DB	4SQLEDL6SCLPF	FROSTED ACRYLIC	1500	14	1103	78°	78.8
4SQLFL2X200035KDA,DB	4SQLEDL6SCLPF	FROSTED ACRYLIC	2000	20	1492	78°	74.6
4SQLFL2X300035KDA,DB	4SQLEDL6SCLPF	FROSTED ACRYLIC	3000	29	2291	78°	79.0
4SQLFL2X400035KDA,DB	4SQLEDL6SCLPF	FROSTED ACRYLIC	4000	40	2881	78°	72.0
SQLFL2X500035KDA,DB	4SQLEDL6SCLPF	FROSTED ACRYLIC	5000	50	3558	78°	71.2
4SQLFL2X80035KDA,DB	4SQLEDL7SCLPF	SOLITE	800	7	626	73°	89.4
4SQLFL2X110035KDA,DB	4SQLEDL7SCLPF	SOLITE	1100	10	894	73°	89.4
4SQLFL2X150035KDA,DB	4SQLEDL7SCLPF	SOLITE	1500	14	1186	73°	84.7
4SQLFL2X200035KDA,DB	4SQLEDL7SCLPF	SOLITE	2000	20	1604	73°	80.2
4SQLFL2X300035KDA,DB	4SQLEDL7SCLPF	SOLITE	3000	29	2409	73°	83.1
4SQLFL2X400035KDA,DB	4SQLEDL7SCLPF	SOLITE	4000	40	3210	73°	80.3
4SQLFL2X500035KDA,DB	4SQLEDL7SCLPF	SOLITE	5000	50	3964	73°	79.3
4SQLFL2X80035KDA,DB	4SQLEDL8SCLPF	CLEAR POLY CARBONATE	800	7	625	75°	89.3
4SQLFL2X110035KDA,DB	4SQLEDL8SCLPF	CLEAR POLY CARBONATE	1100	10	893	75°	89.3
4SQLFL2X150035KDA,DB	4SQLEDL8SCLPF	CLEAR POLY CARBONATE	1500	14	1194	75°	85.3
4SQLFL2X200035KDA,DB	4SQLEDL8SCLPF	CLEAR POLY CARBONATE	2000	20	1586	75°	79.3
4SQLFL2X300035KDA,DB	4SQLEDL8SCLPF	CLEAR POLY CARBONATE	3000	29	2515	75°	86.7
4SQLFL2X400035KDA,DB	4SQLEDL8SCLPF	CLEAR POLY CARBONATE	4000	40	3351	75°	83.8
4SQLFL2X500035KDA,DB	4SQLEDL8SCLPF	CLEAR POLY CARBONATE	5000	50	4139	75°	82.8
4SQLFL2X80035KDA,DB	4SQLEDL9SCLPF	CLEAR TEMPERED GLASS	800	7	629	75°	89.9
4SQLFL2X110035KDA,DB	4SQLEDL9SCLPF	CLEAR TEMPERED GLASS	1100	10	898	75°	89.8
4SQLFL2X150035KDA,DB	4SQLEDL9SCLPF	CLEAR TEMPERED GLASS	1500	14	1193	75°	85.2
4SQLFL2X200035KDA,DB	4SQLEDL9SCLPF	CLEAR TEMPERED GLASS	2000	20	1605	75°	80.3
4SQLFL2X300035KDA,DB	4SQLEDL9SCLPF	CLEAR TEMPERED GLASS	3000	29	2515	75°	86.7
4SQLFL2X400035KDA,DB	4SQLEDL9SCLPF	CLEAR TEMPERED GLASS	4000	40	3351	75°	83.8
4SQLFL2X500035KDA,DB	4SQLEDL9SCLPF	CLEAR TEMPERED GLASS	5000	50	4138	75°	82.8

Above Values reflect 3500K color temperatures and DA or DB Dimming. Add 2 Watts to power for other dimming options.

Scaling factors for other color temperatures: 3000K = 0.97 ; 4000K = 1.03 ; 5000K = 0.98

Delivered Lumen Data - 90 CRI (3500K Color Temperature) - Lensed Options

FIXTURE	TRIM	LENS TYPE	RATED LUMENS	WATTAGE	DELIVERED LUMENS	BEAM DISTRIBUTION	LPW
4SQLFL2X800C935KDA,DB	4SQLEDL3SCLPF	C73 Prismatic Glass	800	9	659	75°	73.2
4SQLFL2X1100C935KDA,DB	4SQLEDL3SCLPF	C73 Prismatic Glass	1100	12	880	75°	73.3
4SQLFL2X1500C935KDA,DB	4SQLEDL3SCLPF	C73 Prismatic Glass	1500	17	1157	75°	68.0
4SQLFL2X2000C935KDA,DB	4SQLEDL3SCLPF	C73 Prismatic Glass	2000	24	1550	75°	64.6
4SQLFL2X3000C935KDA,DB	4SQLEDL3SCLPF	C73 Prismatic Glass	3000	36	2624	75°	72.9
4SQLFL2X4000C935KDA,DB	4SQLEDL3SCLPF	C73 Prismatic Glass	4000	48	3056	75°	63.7
4SQLFL2X5000C935KDA,DB	4SQLEDL3SCLPF	C73 Prismatic Glass	5000	62	3767	75°	60.8
4SQLFL2X800C935KDA,DB	4SQLEDL5SCLPF	FROSTED GLASS	800	9	597	78°	66.3
4SQLFL2X1100C935KDA,DB	4SQLEDL5SCLPF	FROSTED GLASS	1100	12	796	78°	66.4
4SQLFL2X1500C935KDA,DB	4SQLEDL5SCLPF	FROSTED GLASS	1500	17	1047	78°	61.6
4SQLFL2X2000C935KDA,DB	4SQLEDL5SCLPF	FROSTED GLASS	2000	24	1403	78°	58.4
4SQLFL2X3000C935KDA,DB	4SQLEDL5SCLPF	FROSTED GLASS	3000	36	2375	78°	66.0
4SQLFL2X4000C935KDA,DB	4SQLEDL5SCLPF	FROSTED GLASS	4000	48	2766	78°	57.6
4SQLFL2X5000C935KDA,DB	4SQLEDL5SCLPF	FROSTED ACRYLIC	5000	62	3409	78°	55.0
4SQLFL2X800C935KDA,DB	4SQLEDL6SCLPF	FROSTED ACRYLIC	800	9	626	78°	69.5
4SQLFL2X1100C935KDA,DB	4SQLEDL6SCLPF	FROSTED ACRYLIC	1100	12	835	78°	69.6
4SQLFL2X1500C935KDA,DB	4SQLEDL6SCLPF	FROSTED ACRYLIC	1500	17	1098	78°	64.6
4SQLFL2X2000C935KDA,DB	4SQLEDL6SCLPF	FROSTED ACRYLIC	2000	24	1471	78°	61.3
4SQLFL2X3000C935KDA,DB	4SQLEDL6SCLPF	FROSTED ACRYLIC	3000	36	2490	78°	69.2
4SQLFL2X4000C935KDA,DB	4SQLEDL6SCLPF	FROSTED ACRYLIC	4000	48	2901	78°	60.4
4SQLFL2X5000C935KDA,DB	4SQLEDL6SCLPF	FROSTED ACRYLIC	5000	62	3576	78°	57.7
4SQLFL2X800C935KDA,DB	4SQLEDL7SCLPF	SOLITE	800	9	670	73°	74.4
4SQLFL2X1100C935KDA,DB	4SQLEDL7SCLPF	SOLITE	1100	12	894	73°	74.5
4SQLFL2X1500C935KDA,DB	4SQLEDL7SCLPF	SOLITE	1500	17	1180	73°	69.4
4SQLFL2X2000C935KDA,DB	4SQLEDL7SCLPF	SOLITE	2000	24	1582	73°	65.9
4SQLFL2X3000C935KDA,DB	4SQLEDL7SCLPF	SOLITE	3000	36	2619	73°	72.7
4SQLFL2X4000C935KDA,DB	4SQLEDL7SCLPF	SOLITE	4000	48	3232	73°	67.3
4SQLFL2X5000C935KDA,DB	4SQLEDL7SCLPF	SOLITE	5000	62	3984	73°	64.3
4SQLFL2X800C935KDA,DB	4SQLEDL8SCLPF	CLEAR POLY CARBONATE	800	9	669	75°	74.3
4SQLFL2X1100C935KDA,DB	4SQLEDL8SCLPF	CLEAR POLY CARBONATE	1100	12	893	75°	74.4
4SQLFL2X1500C935KDA,DB	4SQLEDL8SCLPF	CLEAR POLY CARBONATE	1500	17	1188	75°	69.9
4SQLFL2X2000C935KDA,DB	4SQLEDL8SCLPF	CLEAR POLY CARBONATE	2000	24	1564	75°	65.2
4SQLFL2X3000C935KDA,DB	4SQLEDL8SCLPF	CLEAR POLY CARBONATE	3000	36	2734	75°	75.9
4SQLFL2X4000C935KDA,DB	4SQLEDL8SCLPF	CLEAR POLY CARBONATE	4000	48	3374	75°	70.3
4SQLFL2X5000C935KDA,DB	4SQLEDL8SCLPF	CLEAR POLY CARBONATE	5000	62	4160	75°	67.1
4SQLFL2X800C935KDA,DB	4SQLEDL9SCLPF	CLEAR TEMPERED GLASS	800	9	673	75°	74.8
4SQLFL2X1100C935KDA,DB	4SQLEDL9SCLPF	CLEAR TEMPERED GLASS	1100	12	898	75°	74.8
4SQLFL2X1500C935KDA,DB	4SQLEDL9SCLPF	CLEAR TEMPERED GLASS	1500	17	1187	75°	69.8
4SQLFL2X2000C935KDA,DB	4SQLEDL9SCLPF	CLEAR TEMPERED GLASS	2000	24	1583	75°	65.9
4SQLFL2X3000C935KDA,DB	4SQLEDL9SCLPF	CLEAR TEMPERED GLASS	3000	36	2734	75°	75.9
4SQLFL2X4000C935KDA,DB	4SQLEDL9SCLPF	CLEAR TEMPERED GLASS	4000	48	3374	75°	70.3
4SQLFL2X5000C935KDA,DB	4SQLEDL9SCLPF	CLEAR TEMPERED GLASS	5000	62	4159	75°	67.1

Above Values reflect 3500K color temperatures and DA or DB Dimming. Add 2 Watts to power for other dimming options.
Scaling factors for other color temperatures: 2700K = 0.93 ; 3000K = 0.97 ; 4000K = 1.03

OPTIONS AND ACCESSORIES

Available Reflector Finishes



Clear
Soft Specular "SCL"



Pewter
Diffused "EPW"
Soft Specular "SPW"



Haze
Diffused "HAZ"



Straw
Diffused "EST"
Soft Specular "SST"



Bronze
Diffused "EBZ"
Soft Specular "SBZ"

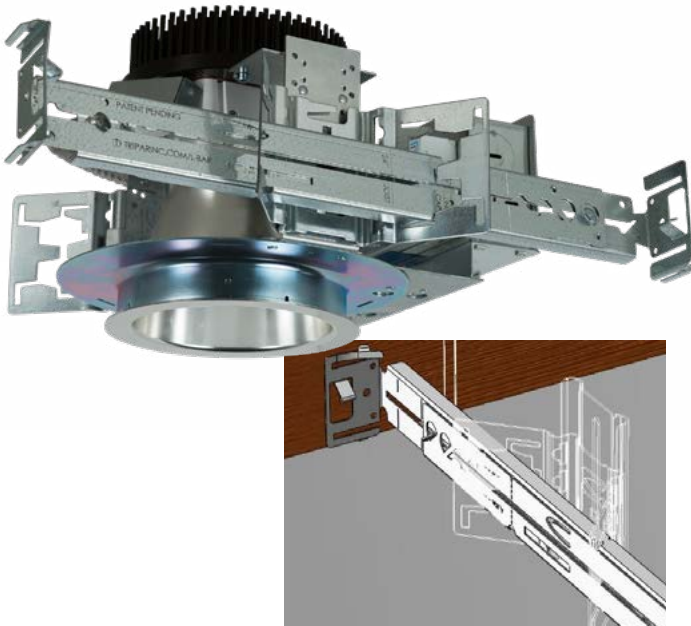


Wheat
Diffused "EWT"
Soft Specular "SWT"

Our standard reflector finish is soft specular clear Alzak (SCL) with a polished self-flange (PF). Additional hues are noted to left. Several of these are offered in both a soft specular and a diffused/matte finish. For colors not shown, contact our sales department for advice on custom anodized finishes.

Specified suffix of desired finish.
Example: 4VLEDSCLPF
For white painted flange omit PF.

Standard Hanger Bars



Interlocking L-Bar hanger bars are now standard with all recessed Coventry Architectural lighting fixtures.

Installer friendly features include:

- L-Bars are fabricated from identical L-shaped cross sections that form a sturdy 1/2" by 1-1/2" C-channel profile for superior rigidity.
- Pre-marked with spacing locations for 24" T-bar; 16" and 24" joist ceilings (wood and metal).
- Extension locks with an easy-to-use integral twist tab. No separate fastener.
- Interlocking and expandable to 24". Can be increased to 36" or 48" with the use of one additional bars.
- Allows for offset mounting.
- Integral and barbed nail spike for wood joist ceilings.
- Fits into the C-channel notches on our butterfly mounting bracket.