

INSTALLATION INSTRUCTIONS – IRD/IRDRM, IN-CEILING REMOTE DRIVE RECESSED LED FIXTURE : READ AND FOLLOW THESE INSTRUCTIONS BEFORE INSTALLING FIXTURE:

This fixture is intended for installation in accordance with the National Electrical Code and local regulations. To assure full compliance with local codes and regulations, check with your local electrical inspector before installation.

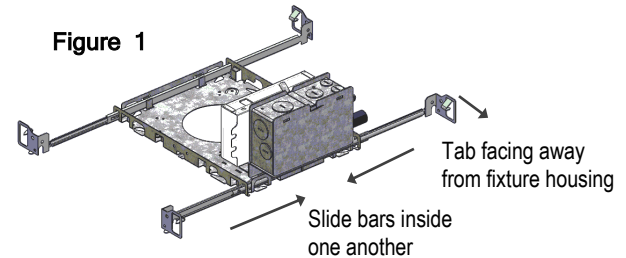
CAUTION: To avoid possible electric shock, be sure that power supply is turned off before installing or servicing this product. These fixtures are **not** designed for direct contact with insulation. Keep insulation at least 3 inches away from any fixture surface, nor in a manner which will entrap heat. Maximum ambient temperature of fixture is 45°C (114°F). Use in higher temperatures will damage unit and void warranty.

Notice: Thermally protected fixture. Blinking light may indicate that insulation is too close to fixture.

Note: This fixture should be supported by main runners, or other structure that is capable of supporting the fixture weight.

Installation: (Frame in Kit)

1. Install interlocking bar hangers provided, making sure end tab is facing out (see Figure 1). Secure by either using nailers or by placing end notches over T-Bar grid and secure to T-Bar with wire. Supplementary support from the ceiling structure is suggested for T-Bar grid ceiling applications.
2. Locate the pan on the joists, so that the bottom of the pan will be flush, or 1/8" above (max) to the bottom of the finished visible ceiling surface.



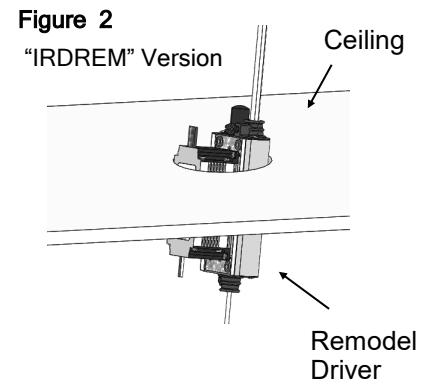
Wiring: All AC supply connections must have a 90°C minimum insulation rating

“IRD” version— Models with driver attached to ceiling pan (as seen in Figure 1):

1. Remove junction box cover. Remove appropriate knockouts. Route AC circuit into junction box. Connect AC wiring as referenced in included fixture-specific instruction sheets.
2. Once wiring is complete, re-install junction box cover.

“IRDRM” version— Models with half round driver can (see Figure 2):

1. For half-round driver box, wire AC and dimming circuits as noted above and leave in the ceiling cavity for ease of installation of the module after ceiling installation. If required, route two 0-10 control wires into driver box through strain relief on opposite side of AC input connector. You must be able to pull the driver output wire out of the ceiling hole after ceiling installation. You must leave at least 12" inches of AC wire that can be pulled through ceiling hole with driver box afterwards.
2. If half-round driver box is not present; or if you will be tying into the AC circuit after ceiling installation, you must leave enough of the AC circuit wiring loose in the ceiling cavity to be pulled back through the ceiling hole afterwards. Roughly 12" of AC wire should protrude from the hole afterwards to allow installation of the driver box.
3. Cut Ø3.5" hole in ceiling material to pass half round driver box through opening.
4. For through-branch wiring the use of a duplex connector is required.
5. To complete wiring, press strain relief on opposite side of AC input connector closed to clamp wires in place. Fit driver can thru ceiling hole and place on ceiling material.

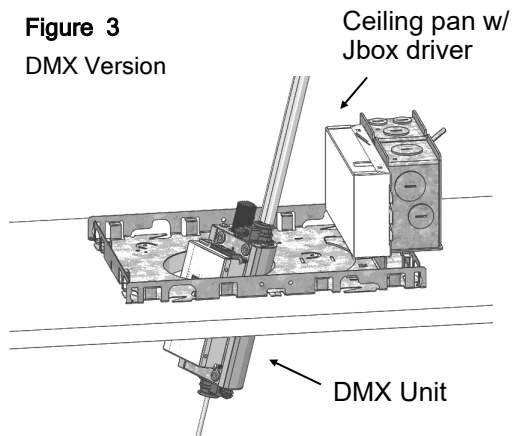


DMX Option (see Figure 3):

1. DMX version has the driver attached to the ceiling pan and a half round can for the DMX translator. Reference Separate DMX instructions for wiring and installation info.

Optional Emergency “EM” Option (for use with IRD version only):

1. Refer to separate instructions for additional circuit requirements, and wiring information.
2. Once unit has been wired, place emergency pack on top of ceiling pan slide bars and zip tie firmly in place.



Installation: (Crossbar) — “IRD” Version

1. Insert support plate thru hole opening and place on top of ceiling pan. Orient bracket so bent tabs aim down, as shown (see **Figure 4a and 4b**)
2. Attach xbar to support plate using suitable 8-32 screws. Ceiling material will be sandwiched between support plate and xbar. Hold support plate by putting 1 finger through center hole and holding in place while starting 1 xbar screw in proper hole.

Figure 4a

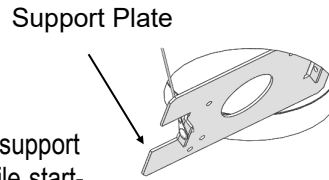
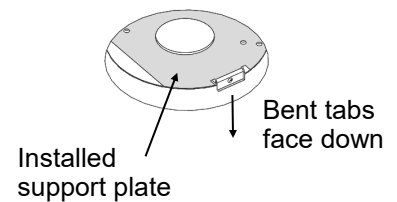


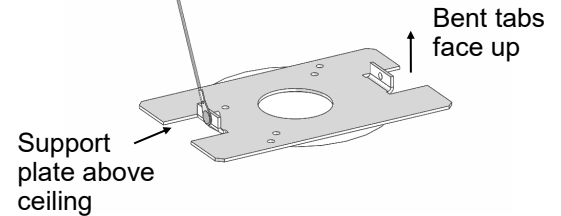
Figure 4b



Installation: (Crossbar) — “IRDRM” Version

1. Insert support plate thru hole opening and place on top of ceiling pan. Orient bracket so bent tabs aim up away from ceiling (see **Figure 5**).
2. Attach xbar to support plate using suitable 8-32 screws. Ceiling material will be sandwiched between support plate and xbar. Hold support plate by putting 1 finger through center hole and holding in place while starting 1 xbar screw in proper hole.

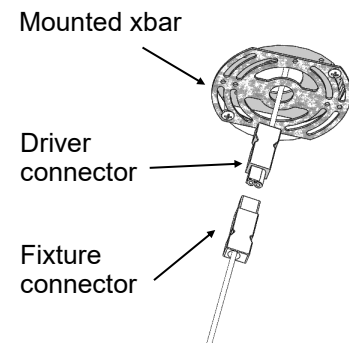
Figure 5



Installation: (Light Fixture)

1. Route LED driver connector thru support plate hole, ceiling hole and thru xbar hole (see **figure 6**).
2. Follow fixture-specific mounting instructions (omit jbox instructions), instead mount to xbar installed in previous step. Make sure to follow the ceiling pan, xbar mounting and driver instructions included on this instruction sheet.
3. Attach LED fixture connector to LED driver connector (see **figure 5**).

Figure 6



IMPORTANT NOTE: If unit fails to illuminate, disconnect AC circuit(s) immediately, and re-check wiring. Contact either the factory, or trained service personnel, for further assistance.

SAVE THESE INSTRUCTIONS

090-IRD 05-19

PATHWAY LIGHTING PRODUCTS, INC
175-5 Elm St. P.O. Box 591, Old Saybrook, CT 06475
PHONE (860) 388-6881 / (800) 342-0592 Fax (860) 388-5766 / (800) 207 0090