

INSTALLATION INSTRUCTIONS – 4”-8” FL2X SHALLOW RECESSED LED FIXTURE :

FOR FIXTURE TYPES: DOWNLIGHT, WALL WASH, WL2

READ AND FOLLOW THESE INSTRUCTIONS BEFORE INSTALLING FIXTURE:

This fixture is intended for installation in accordance with the National Electrical Code and local regulations. To assure full compliance with local codes and regulations, check with your local electrical inspector before installation.

CAUTION: To avoid possible electric shock, be sure that power supply is turned off before installing or servicing this product.

These fixtures are **not** designed for direct contact with insulation. Keep insulation at least 3 inches away from any fixture surface, nor in a manner which will entrap heat. Maximum ambient temperature of fixture is 45°C (114°F). Use in higher temperatures will damage unit and void warranty.

Notice: Thermally protected fixture. Blinking light may indicate that insulation is too close to fixture.

Suitable for use in damp locations. WL2 version is suitable for wet location, under covered ceilings.

Note: This fixture should be supported by main runners, or other structure that is capable of supporting the fixture weight.

Installation: (Frame in Kit)

1. Locate frame in kit and assemble as shown (see **Figure 1**).
2. Insert “L” bars according to instructions provided.
3. Loosen the bracket wing nuts from the inside of the fixture, and adjust the *hanger bar end brackets*, so that the lower lip of the fixture flange will be **flush, or 1/8” (max)** above the bottom of the ceiling surface. (See **Figure 1**).

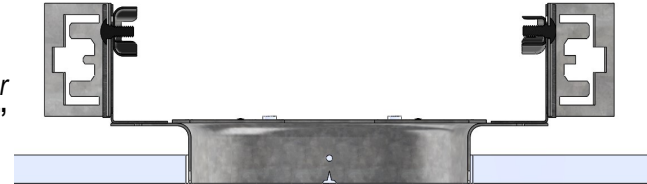


Figure 1

Ceiling surface

Installation: (Driver Assembly)

1. Locate driver assembly (see **Figure 2**).
2. Loosen both wing nuts and rotate counterclockwise to remove driver/cover. (see top of **Figure 2**)

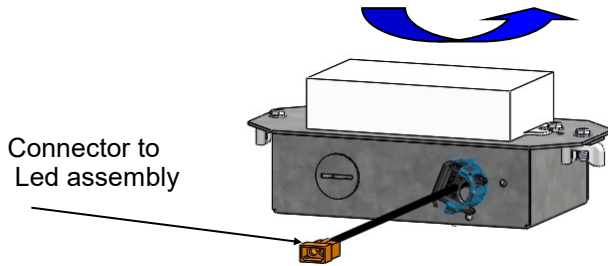


Figure 2

3. Wiring:

- Remove appropriate knockouts. Route AC circuit into junction box***. All AC supply connections must have a 90°C. minimum insulation rating . Connect to AC input wires as follows:

Hot feed to black input wire, **neutral feed to white** input wire, **copper** wire to **ground** .

***Important note: If unit is to be dimmed, route **one (DH)**, or **two (DA through DF, DG, DK, and DL)** additional two wires into junction box.

For **DH dimming**, connect dim control wire to **orange** input wire. For **DA through DF** dimming, connect **0-10V dimming control** wires to **violet (dim+)** and **gray or pink (dim-)** input wires. For **DG** dimming, connect control wiring to the **purple and purple/white** input wires. For **DK and DL DALI** dimming, connect input control wires to two violet wires.

- For optional **”EM” emergency pack**, refer to separate instructions for additional circuit requirements, and wiring information.
 - For **DMX models**, refer to separate DMX instructions.
4. Once wiring is complete, re-install driver/cover.

Installation: (Driver Assembly Cont.)

5. Pass driver thru opening and place on back plate of frame in kit. Note: There are magnets to secure driver assembly. (see **Figure 3**)

Installation: (Led Assembly)

1. Locate Led Assembly. (see **Figure 4**)
2. Unscrew Philips head screw from top of Led Assembly and attached safety cord. Screw back onto Led Assembly. (see **Figures 3 & 4**)
3. Attached Led Assembly connector (see **Figure 4**) to Driver Led connector (see **Figure 2**).
4. Squeeze the 2 ends of each spring towards Led Assembly wall and engage the two springs into the plaster frame opening in the housing. Slide Led Assembly up and fully seat against ceiling surface. (see **Figure 5**). For lensed wall wash products (LW), install Led assembly by aligning angled internal lens towards wall, the low point of lens should be farthest away from wall you are lighting.
5. Clean reflector surface with a soft towel and glass cleaner, if necessary, to prevent scratching of the polished aluminum surface.

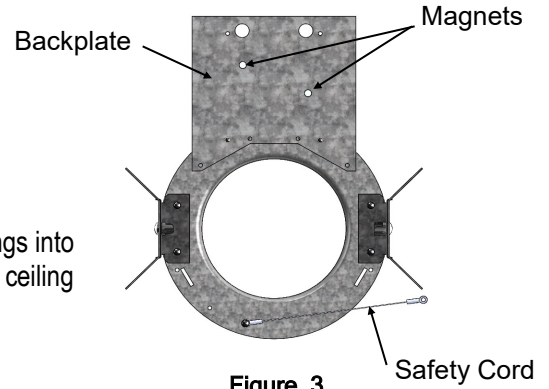


Figure 3

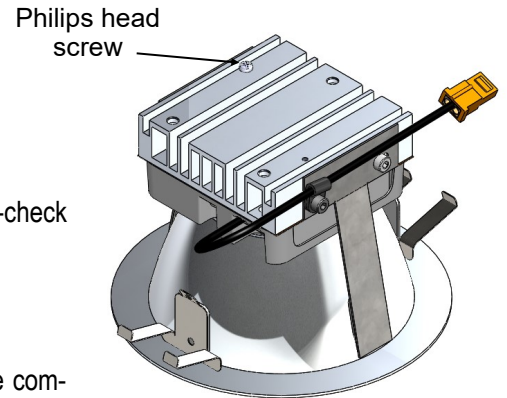


Figure 4

IMPORTANT NOTE: If unit fails to illuminate, disconnect AC circuit(s) immediately, and re-check wiring. Contact either the factory, or trained service personnel, for further assistance.

Compatible Dimming Controls for 0-10V DIM Products:

Dimming controls that meet IEC Standard 60929 Annex E of ETSA Standard E1.3 are compatible. Consult factory for additional dimmer compatibility information.

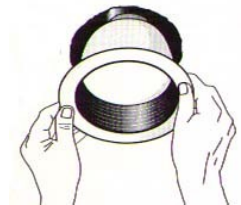


Figure 5

SAVE THESE INSTRUCTIONS