

Solerio

Decorative Lighting

SERIES 2P3

Architectural Double Suspension Pendant



Additional Styles
in the P3 family



P3A Series
(with cobalt shade and inner reflector)



P3 Series
(with white shade)



P3D Series
(with white shade)

Pathway the Lighting Source

announces their latest innovation in architectural pendant lighting. SERIES 2P3 features two glass shades supported by a double bar system that features decorative cabling to mirror the graceful lines of a suspension bridge. Frosted glass shades are available in a variety of solid and patterned colors. White milk glass interior provides excellent downlight performance while infusing the shade with a soft uniform glow.

Lamp Styles Operated

- Incandescent A Lamp 250 Watt Max.
- Compact Fluorescent 18-42 Watt Triple Tube
- Metal Halide ED17 50 or 70 Watt



Visit our web site! www.pathwaylighting.com

Pathway Lighting Products, Inc., P.O. Box 591, Old Saybrook, CT 06475-0591
voice 800.342.0592 • fax 800.207.0090 • www.pathwaylighting.com • e-mail: sales@pathwaylighting.com

Coventry

Architectural Series

SERIES 2P3 Pendant Compact Fluorescent/ Incandescent Double Pendant with Glass Shade

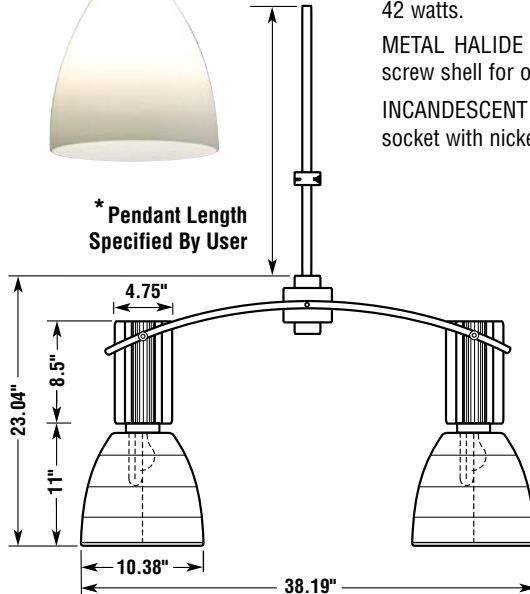


Solerio
Decorative Lighting



Listed
For Damp
Location

Manufactured and tested to UL#1598 and CSA standards. Note: Suitable for damp location.



APPLICATION

Solerio™ suspended pendants are ideal for illumination in interior areas where a decorative pendant downlight is desired. Suspension system combines steel rod and cables in an architecturally pleasing double shade design. Frosted glass shades feature a soft uniform glow while the milk glass interior provides good downlight performance.

PRODUCT DATA

GLASS SHADE: Shades are fabricated of frosted glass in a variety of colors. Interior is cased in white milk glass which enhances downlight performance and infuses the shade with a soft uniform glow.

INNER REFLECTOR: An optional inner reflector cone is fabricated of polished aluminum and further enhances downlight performance while maintaining the uniform glow of the shade's exterior. Finish is specular clear Alzak®. To specify, see Options section below.

MECHANICAL: The oval housing is constructed of satin anodized aluminum extrusions, finned for optimum heat dissipation. Extrusions are suspended from a curved steel rod system in polished chrome. Adjustable cables provide additional support. Custom finishes are available by contacting our Sales Department.

LAMP DESCRIPTION:

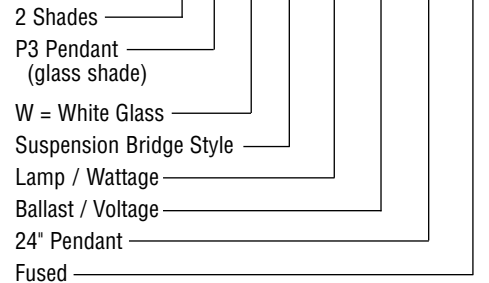
COMPACT FLUORESCENT – Single lamp operation with a positive latch 4-pin thermoplastic socket for triple tube lamps is wattages of 26, 32 or 42 watts.

METAL HALIDE – 4KV deep medium base porcelain socket nickel plated screw shell for open fixture rated ED17 style lamp.

INCANDESCENT – Single lamp operation with a medium base porcelain socket with nickel plated screw shell. Maximum lamp wattage of 200 watts.

MOUNTING: Mounting is provided by pendant system. Specific length to be specified.

EXAMPLE: 2 P3 W SB 32T E4 P24* F



Catalog Number – 2P3

Example: 2P3W32TE4P24

Fixture Series	Lamp / Wattage	Ballast / Voltage	Suspension	Options
2P3B Cobalt Blue Glass Shade 2P3W White Glass Shade	TYPE UT 26-42 W Triple Tube H50 50 W Metal Halide H70 70 W Metal Halide A21 – 150 W Incandescent A23 – 200 W Incandescent	E4 – Electronic 120/277 DIMMING BALLASTS DT – Lutron TU Wire (120V only) DA1 – Advance Mark X 120V DA2 – Advance Mark X 277V E4 – Electronic 120/277 120 Volt Standard	P – Pendant Provision Specify length (ex., P24 = 24")	Special Colors for Extrusions W = White B = Black Z = Bronze R = Clear Alzak Inner Reflector F = Fused

Fixture Type	Job Reference/Location
Lamp Type	Approval

All Pathway® products meet or exceed requirements as established by the National Electrical Code. Specifications subject to change without notice. Alzak® is a registered trademark of Alcoa.

PATHWAY
the Lighting Source

Pathway Lighting Products, Inc., P.O. Box 591, Old Saybrook, CT 06475-0591
voice 800.342.0592 • fax 800.207.0090 • www.pathwaylighting.com • e-mail: sales@pathwaylighting.com