

APPLICATION

IC rated, small-aperture medium-distribution downlight is suitable for commercial, retail and institutional applications that require an energy saving, long life LED lamp source, excellent color rendering characteristics and shallow fixture height.

PRODUCT DATA

IC HOUSING/DLA ASSEMBLY: IC rated/airtight housing is available to ship and preinstall prior to insertion of downlight (DLA) assembly. Heavy-gauge galvanized steel housing provides a secure mounting platform and accommodates ceiling thickness up to one-inch. DLA assembly consists of reflector (trim), engine, heat sink, driver, and quick-connect wire harness for fast installation. Driver is magnetically held and easily disengaged, allowing the entire DLA assembly to be removed for routine maintenance.

REFLECTOR: The parabolic reflector eliminates glare and features a 55° cut-off to source and source image. A 5/8" overlap flange is standard. Supplied standard with Specular Clear Alzak, other reflector finishes are available in order to provide maximum flexibility to the designer. Optional upper lens shields LED engine and is suitable for wet location.

DECORATIVE ACCESSORY: Round disc is fabricated from soda lime glass (ICE) or borosilicate glass (ICEBS) and is suspended from reflector by satin-finished stainless hardware. Glass features a frosted center ring with center opening.

MOUNTING: Supplied standard with interlocking hanger bars that expand to 26".

ELECTRICAL: Standard 120-277 VAC, 50-60 Hz. Optional 347V (E3).

JUNCTION BOX: Heavy-gauge galvanized junction box is airtight, gasketed and pre-wired with grounding pigtail. Easy access covers. Multiple conduit knockouts listed for through branch circuit wiring.

LED MODULE & DRIVER: LED module and Xitanium drivers are manufactured by Philips Lighting. 80 CRI standard. 90 CRI available.

DIMMING: Standard product is compatible with 0-10 volt dimming controls. See below for additional options.

HEAT MANAGEMENT: Engineered heat sink provides passive cooling for optimum heat management of the LED engine.

- Expected lamp life to be 50,000 hours with 70% lumen maintenance when ambient temperatures do not exceed 45°C. Lower ambient temperatures yield longer lamp life.



For Damp Location
Optional Wet Location
Under Covered ceiling



CALIBER

COMMERCIAL

SERIES 4ICSFK/4ICSFL2X

Shallow Plenum LED Downlight 683 -1440 Lumen



AIRTIGHT / IC RATED
CHICAGO PLENUM RATED

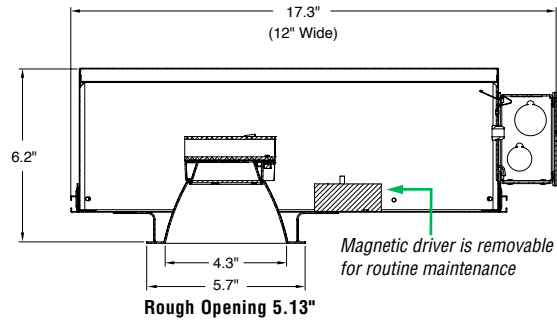
5 Year
Warranty



[CLICK HERE for more styles](#)



Available with suspended decorative glass disk.



Catalog #:

4ICSFK/4ICSFL2X

Example: 4ICSFK/4ICSFL2X1135KE1DASCLPF

Frame-In Kit	Options	DLA Assembly	Lumens	Color Temp.	Input Voltage	Dimming	Trim Finish w/polished flange
4ICSFK	X = Provision for ICE glass disc	4ICSFL2X	8 = (683-730L, 7W) 11 = (975-1043L, 10W) 15[^] = (1347-1440, 13W) C9 = 90 CRI <i>See next page for delivered lumens data.</i>	5K^{**} (5000K) 4K (4000K) 35K (3500K) 3K (3000K) 27K[*] (2700K)	blank = 120-277 Volt E3 347 Volt [#]	DA Xitanium 1% 0-10V (linear) standard <i>More Options On Next Page</i>	blank = 60° Open Downlight Reflector WL2 - Upper Lens Wet Location SCLPF - Soft Specular Clear Alzak HAZPF - Haze Alzak ICE - Decorative Glass Accessory For white painted flange, drop "PF" from Catalog #. For other finishes, consult last page.

[^] 1500 Lumen available only with Xitanium dimming (DA,DB) only.

^{*} 90 CRI Only

^{**} 5000K only available in 80 CRI.

[#] Available with DS Dimming Only

Fixture:	Type:
Project:	

Manufactured and tested to UL#1598/8750 and CSA standards. Meets or exceeds ASTM-283 Airtight requirements. Washington State Approved. Fixtures are designed for direct contact with insulation. All Pathway® products meet or exceed requirements as established by the National Electrical Code. Specifications subject to change without notice.



Pathway Lighting Products, Inc., P.O. Box 591, Old Saybrook, CT 06475-0591
 voice 800.342.0592 • fax 800.207.0090 • www.pathwaylighting.com • e-mail: sales@pathwaylighting.com

LDFX58.0
CLMDUN

Dimming Options:

Specify option by suffix (shown in bold-face type)

Our White Paper regarding Linear vs. Logarithmic Operating Characteristics is available in our 'Downloads' section of our website, or you may request one by emailing Sales@PathwayLighting.com

0-10V Dimming Options	Lutron Dimming Options	DALI Dimming Options
DA = Xitanium 1% 0-10V (linear) DB = Xitanium 1% 0-10V (logarithmic) DC = EldoLED 0-10V 0% (logarithmic) DD = EldoLED 0-10V 1% (logarithmic) DE = EldoLED 0-10V 0% (linear) DF = EldoLED 0-10V 1% (linear) DS = Sage 0-10V 1% (linear)*	DG = Lutron Eco 1% (linear) DJ = Lutron 2 wire 1% (linear)	DK = EldoLED DALI 0% (logarithmic) DL = EldoLED DALI 1% (logarithmic)
DMX Dimming Options	Misc. Dimming Options	
RDM COMPLIANT XG = DMX EldoLED 0% (logarithmic) XH = DMX EldoLED 0% (linear)	DM = 2-Wire Forward/Reverse Phase (120V)	

* 347V only

Delivered Lumen Data - Open Trim (3500K Color Temperature)

FIXTURE	RATED LUMENS	WATTAGE	DELIVERED LUMENS	BEAM DISTRIBUTION	LPW
4ICSFL2X835KSCLPF	800	7	730	69°	104.3
4ICSFL2X1135KSCLPF	1100	10	1043	69°	104.3
4ICSFL2X1535KSCLPF	1500	13	1440	69°	110.7

Delivered Lumen Data - WL2 Lens (3500K Color Temperature)

FIXTURE	RATED LUMENS	WATTAGE	DELIVERED LUMENS	BEAM DISTRIBUTION	LPW
4ICSFL2X835KWL2SCLPF	800	7	683	64°	97.6
4ICSFL2X1135KWL2SCLPF	1100	10	975	64°	97.5
4ICSFL2X1535KWL2SCLPF	1500	13	1347	64°	103.6

Scaling factors for other color temperatures (90 CRI): 3000K = 0.97 ; 4000K = 1.03 ; 5000K = 0.98
90 CRI = 0.83